

API RT

API.瑞通阀门

API RT

API

API RT API.瑞通阀门



温州瑞通阀门有限公司
WENZHOU RUITONG VALVE CO., LTD

地址: 浙江温州龙湾区永中街道建中南街215-221号

总机: 0577-8588 8060

邮箱: rtv@zjrtfm.com

销售一部: 0577-8588 8061

外贸部: 0577-8588 8220

销售二部: 0577-8588 8062

0577-8588 8221

销售三部: 0577-8588 8063

邮箱: valve@zjrtfm.com

传真: 0577-8868 8270

网址: www.zjrtfm.com

ADD: No.215-221 Jianzhong South street,

Longwan Dist, Wenzhou, Zhejiang, China

Tel: 0086 577 85888220

Fax: 0086 577 88688270

E-mail: valve@zjrtfm.com monica@zjrtfm.com

Web: www.zjrtfm.com

温州瑞通阀门有限公司

铸造高品质阀门 追求每一个细节完善

The Pursuit Every Detail Perfect, Casting High Quality Valve

WENZHOU RUITONG VALVE CO., LTD

APIRT

API.瑞通阀门

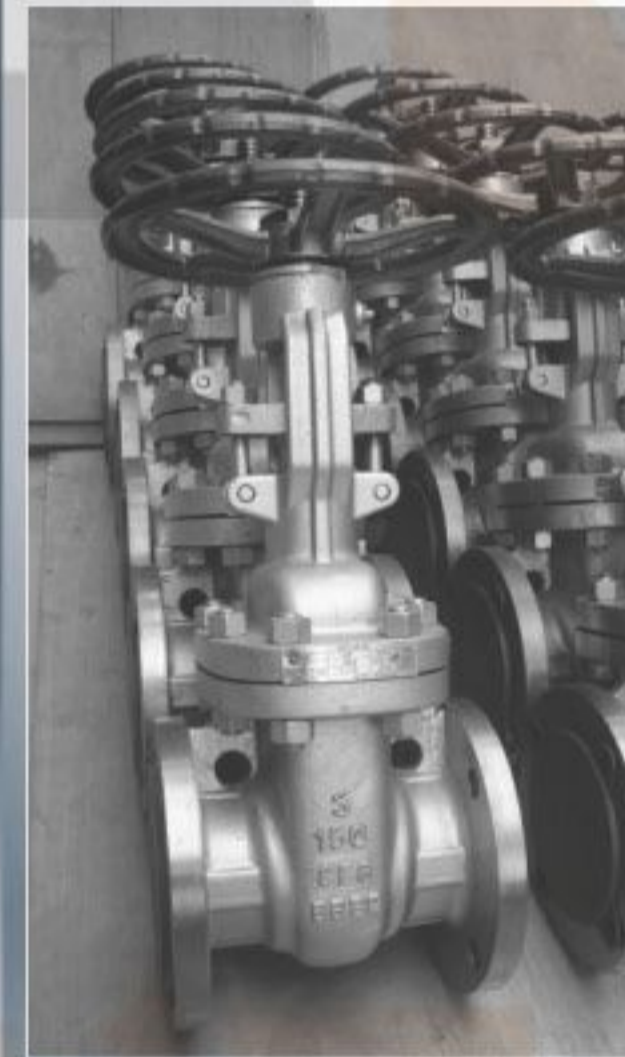


广泛应用于化工、石油、轻工、食品、医药、环保等领域。

Widely used in chemical, petroleum, light industry, food, Medicine, environmental protection and other fields.

第 03-12页

闸阀系列
Gate valve series



第 23-32页

止回阀系列
Check valve series



第 13-22页

截止阀系列
Globe valve series



第 33-41页

球阀系列
Ball valve series



第 42-46页

过滤器系列
Filter valve series



美标碳钢闸阀
API wcb gate valve



美标伞齿轮闸阀
API gate valve with gear operation



日标闸阀
JIS gate valve



美标碳钢截止阀
API wcb globe valve



美标不锈钢截止阀
API stainless steel globe valve



日标截止阀
JIS globe valve



美标碳钢旋启式止回阀
API wcb swing check valve



美标不锈钢旋启式止回阀
API stainless steel swing check valve



日标旋启式止回阀
JIS swing check valve



美标碳钢球阀
API wcb ball valve



美标不锈钢球阀
API stainless steel ball valve



日标球阀
JIS ball valve



螺纹闸阀
Thread gate valve



电动闸阀
Electric actuator gate valve



锻钢球阀
Forged steel ball valve



螺纹截止阀
Thread globe valve



螺纹Y型过滤器
Y type thread strainer



锻钢闸阀
Forged gate valve



螺纹止回阀
Thread swing check valve



美标Y型过滤器
API Y type strainer



锻钢截止阀
Forged globe valve



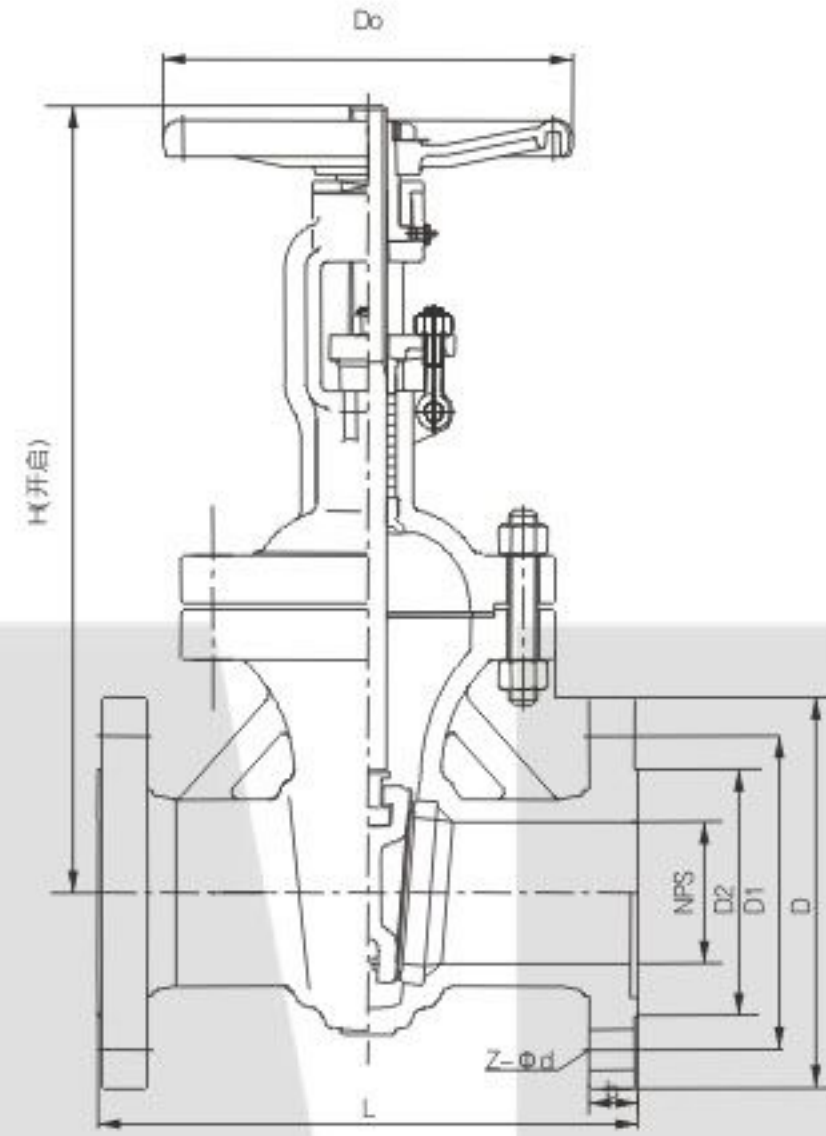
螺纹气动球阀
Pneumatic thread ball valve



法兰气动球阀
Pneumatic flange ball valve



锻钢止回阀
Forged check valve



产品执行标准 Technical standard

设计与制造 Desubg abd manufacture	结构长度 Face to face end to end	法兰尺寸 Flange dimension	对焊连接尺寸 Butt welding dimension	压力-温度 Pressure temperature lating	试验-检验 Inspection and test
AP160	ANSI B16.10	ANSI B16.5	ANSI B16.25	ANSI B16.34	API1598

产品性能规范 Chief property and specification

公称压力 (Lb)	强度试验 Shell test		水密封试验 Water seal test		气密封试验 Air seal test	
	Mpa	Lbf/in ²	Mpa	Lbf/in ²	Mpa	Lbf/in ²
150	3.1	450	2.2	315	0.5~0.7	60~100
300	7.8	1125	5.6	815		
600	15.3	2225	11.2	1630		
900	23.1	3350	16.8	2440		
1500	38.4	5575	28.1	4080		
2500	64.6	9367	47.4	6873		

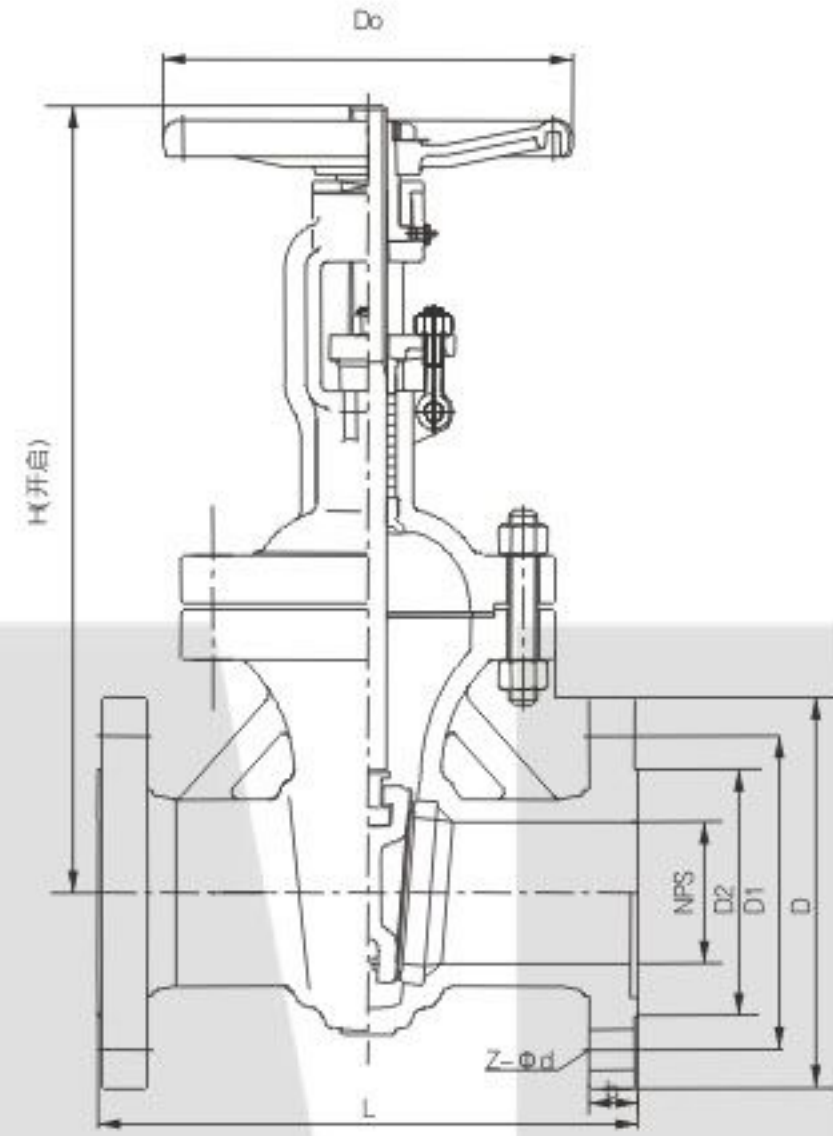
材料列表 Material list

体、盖、瓣 Body cover disc	阀杆 Stem	密封面 Sealing face	垫片 (环) Sealing shim	填料 Packing	工作温度 (°C) Working temperature	适用介质 Suitable medium
WCB	2Cr13	13Cr STL 本体材料 With bodymater rial PTFE 尼龙 Nylon	增强柔性石墨 13Cr/柔性石墨 Enhanced flexible 1Cr13/Flexible graphite SFB-2 08软钢 08Soft steel F304 F316 F304L F316L	柔性石墨 增强柔性石墨 Flesible graphite enhanced flexible graphite SFB/260 SFP/260 PTFE	≤425	水、蒸汽、油品 water steam petroleum products
WC1	38CrMoAl				≤450	
WC6					≤540	
WC9					≤570	
C5 C12	25Cr2Mov				≤540	硝酸、醋酸、尿素 Nitric acid aceic acid
CF8	F304	≤600				
CF3	F316					
CF8M	F304L					
CF3M	F316L					

主要尺寸 Main Dimension

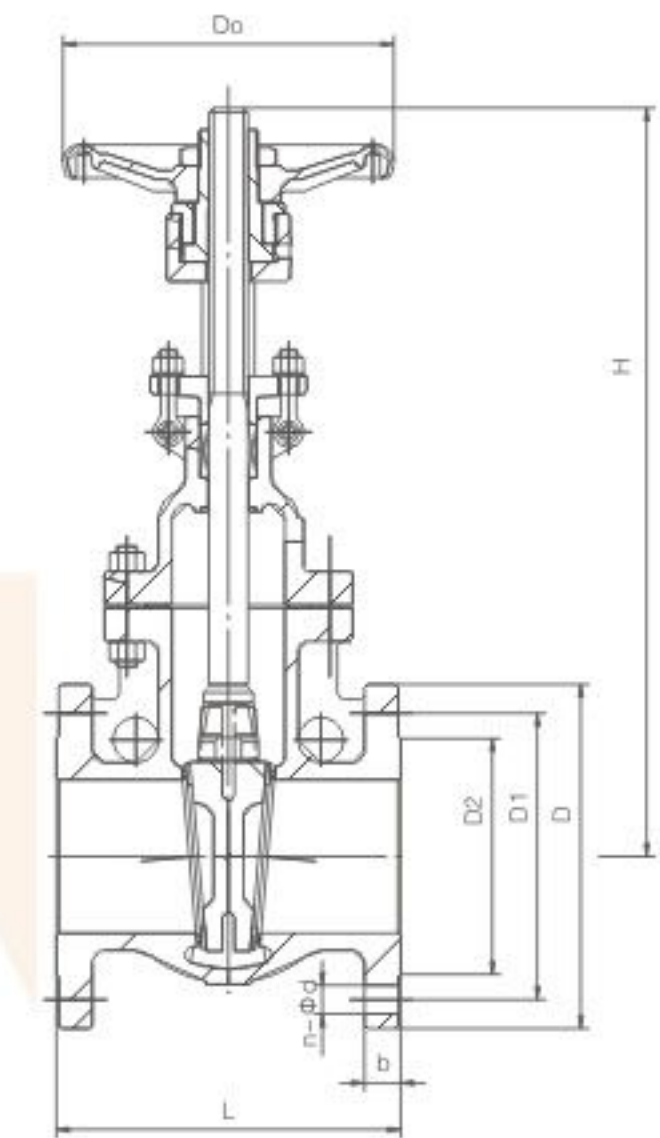
DN		150Lb			150LbP		150LbR			
mm	in	L	D	D1	D2	b	f	n-φd	H	D0
15	1/2"	108	90	60.3	34.9	10	2	4-16	158	100
20	3/4"	117	100	69.9	42.9	10.9	2	4-16	163	100
25	1"	127	110	79.4	50.8	11.6	2	4-16	193	125
32	1-1/4"	140	115	88.9	63.5	13.2	2	4-16	250	160
40	1-1/2"	165	125	98.4	73	14.7	2	4-16	285	160
50	2"	178	150	120.7	92.1	16.3	2	4-19	325	180
65	2-1/2"	190	180	139.7	104.8	17.9	2	4-19	350	190
80	3"	203	190	152.4	127	19.5	2	4-19	380	200
100	4"	229	230	190.5	157.2	24.3	2	8-19	460	230
125	5"	254	255	215.9	185.7	24.3	2	8-22	630	250
150	6"	267	280	241.3	215.9	25.9	2	8-22	635	260
200	8"	292	345	298.5	269.9	29	2	8-22	765	290
250	10"	330	405	362	323.8	30.6	2	12-26	895	330
300	12"	356	485	431.8	381	32.2	2	12-26	1080	350
350	14"	381	535	476.3	412.8	35.4	2	12-29	1295	380
400	16"	406	595	539.8	469.9	37	2	16-29	1435	400
450	18"	432	635	577.9	533.4	40.1	2	16-32	1625	430
500	20"	457	700	635	584.2	43.3	2	20-32	1830	450
600	24"	508	815	749.3	692.2	48.1	2	20-35	2175	500

DN		300Lb			300LbP		300LbR			
mm	in	L	D	D1	D2	b	f	n-φd	H	W
15	1/2"	140	95	66.7	34.9	14.7	2	4-16	158	100
20	3/4"	152	115	82.6	42.9	16.3	2	4-19	163	100
25	1"	165	125	88.9	50.8	17.9	2	4-19	193	125
32	1-1/4"	178	135	98.4	63.5	19.5	2	4-19	250	160
40	1-1/2"	190	155	114.3	73	21.1	2	4-22	285	160
50	2"	216	165	127	92.1	22.7	2	8-19	330	200
65	2-1/2"	241	190	149.2	104.8	25.9	2	8-22	370	240
80	3"	282	210	168.3	127	29	2	8-22	395	280
100	4"	305	255	200	157.2	32.2	2	8-22	470	300
125	5"	381	280	235	185.7	35.4	2	8-22	660	380
150	6"	403	320	269.9	215.9	37	2	12-22	715	400
200	8"	419	380	330.2	269.9	41.7	2	12-26	815	410
250	10"	457	445	387.4	323.8	48.1	2	16-29	1005	450
300	12"	502	520	450.8	381	51.3	2	16-32	1135	500
350	14"	762	585	514.4	412.8	54.4	2	20-32	1490	760
400	16"	838	650	571.5	469.9	57.6	2	20-35	1580	830
450	18"	914	710	628.6	533.4	60.8	2	24-35	2020	910
500	20"	991	775	685.8	584.2	64	2	24-35	2230	990
600	24"	1143	915	812.8	692.2	70.3	2	24-41	2650	1140



主要尺寸 Main Dimension

DN		600Lb		600LbP	600LbR					
mm	in	L	D	D1	D2	b	f	n-φd	H	W
15	1/2"	165	95	66.7	34.9	21.3	7	4-16	158	100
20	3/4"	190	115	82.6	42.9	22.9	7	4-19	163	100
25	1"	216	125	88.9	50.8	24.5	7	4-19	193	125
32	1-1/4"	229	135	98.4	63.5	27.7	7	4-19	250	160
40	1-1/2"	241	155	114.3	73	29.3	7	4-22	285	160
50	2"	292	165	127	92.1	32.4	7	8-19	425	290
65	2-1/2"	330	190	149.2	104.8	35.6	7	8-22	485	330
80	3"	356	210	168.3	127	38.8	7	8-22	510	350
100	4"	432	275	215.9	157.2	45.1	7	8-26	610	430
125	5"	508	330	266.7	185.7	51.5	7	8-29	700	500
150	6"	559	355	292.1	215.9	54.7	7	12-29	820	550
200	8"	660	420	349.2	269.9	62.6	7	12-32	920	660
250	10"	787	510	431.8	323.8	70.5	7	16-35	1080	780
300	12"	838	560	489	381	73.7	7	20-35	1220	830
350	14"	889	605	527	412.8	76.9	7	20-38	1473	880
400	16"	991	685	603.2	469.9	83.2	7	20-41	1650	990
450	18"	1092	745	654	533.4	89.6	7	20-45	1727	1000
500	20"	1194	815	723.9	584.2	95.9	7	24-45	2019	1200
600	24"	1397	940	838.2	692.2	108.6	7	24-51	2155	1400



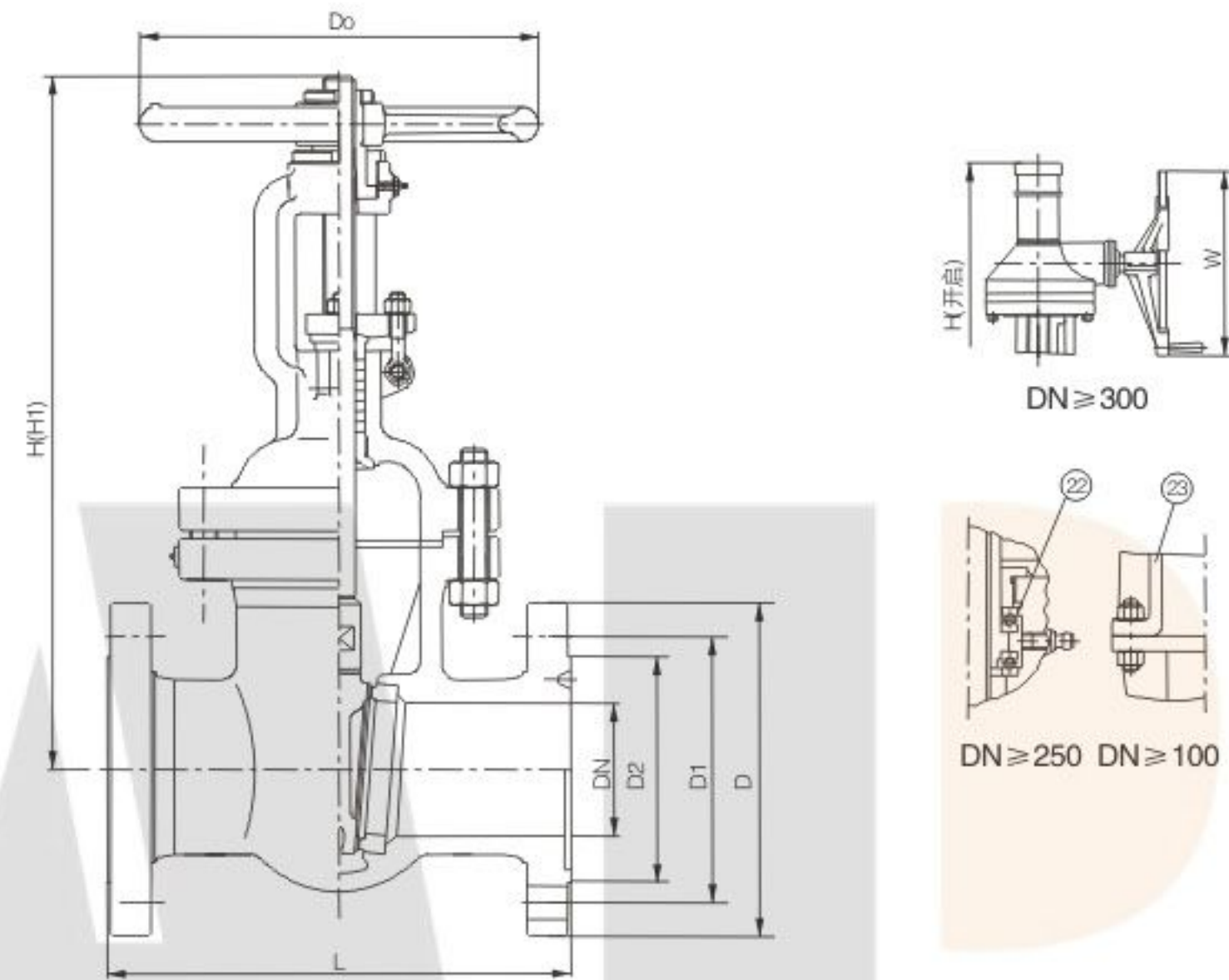
产品执行标准 Technical standard

设计与制造 Desubg abd manufacture	结构长度 Face to face end to end	法兰尺寸 Flange dimension	压力-温度 Pressure temperature lating	试验-检验 Inspection and test
JIS B2073 B2083	JIS B2002	JIS B2212 B2214	JIS B2073 B2083	JIS B2003

主要尺寸 Main Dimension

DN		Z41H-10K, Z41W-10K					
mm	in	L	D	D1	D2	b	n-φd
15	1/2"	108	95	70	52	12	4-15
20	3/4"	117	100	75	58	14	4-15
25	1"	127	125	90	70	14	4-19
32	1-1/4"	140	135	100	80	16	4-19
40	1-1/2"	165	140	105	85	16	4-19
50	2"	178	155	120	100	16	4-19
65	2-1/2"	190	175	140	120	18	4-19
80	3"	203	185	150	130	18	8-19
100	4"	229	210	175	155	18	8-19
125	5"	254	250	210	185	20	8-23
150	6"	267	280	240	215	22	8-23
200	8"	292	330	290	265	22	12-23
250	10"	330	400	355	325	24	12-25
300	12"	356	445	400	370	24	16-25
350	14"	381	490	445	415	26	16-25
400	16"	406	560	510	475	28	16-27
450	18"	432	620	565	530	30	20-27
500	20"	457	675	620	585	30	20-27

DN		Z41H-20K, Z41W-20K					
mm	in	L	D	D1	D2	b	n-φd
50	2"	216	155	120	100	18	8-19
65	2-1/2"	241	175	140	120	20	8-19
80	3"	283	200	160	135	220	8-23
100	4"	305	225	185	160	24	8-23
150	6"	403	305	260	230	28	12-25
200	8"	419	350	305	275	30	12-25
250	10"	457	430	380	345	34	12-27
300	12"	502	480	430	395	35	16-27
350	14"	762	540	480	440	40	16-33
400	16"	838	605	540	495	46	16-33
450	18"	914	675	605	560	48	20-33



产品执行标准 Technical standard

设计规范 Product specification	设计规范 Design spec	结构长度 Face to face	连接法兰 Flange end	试验-检验 Test & check	压力-温度 Pressure - temp	产品标识 Marking
	GB/T 12234	JB/T 7746	JB/T 79	GB/T 13927-92	GB/T 9131	GB/T 12220

产品性能规范 Chief property and specification

1、试验压力 Test pressure

公称压力 PN (MPa) Nominal pressure	壳体 Shell	试验压力 (MPa) Test pressure		上密封 Back seat
		密封 (液) Seal	密封 (气) Seal	
1.6	2.4	1.8	0.6	1.8
2.5	3.8	2.8	0.6	2.8
4.0	6.0	4.4	0.6	4.4
6.4	9.6	7.0	0.6	7.0
10.0	15.0	11.0	0.6	11.0
16.0	24.0	18.0	0.6	18.0

2、适用介质及适用温度
Applicable medium & applicable temperature

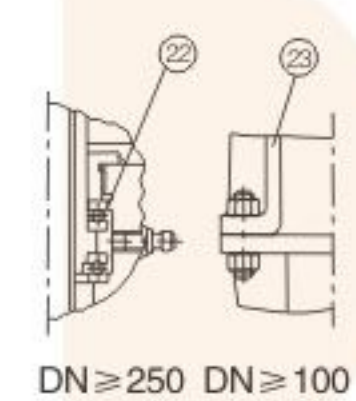
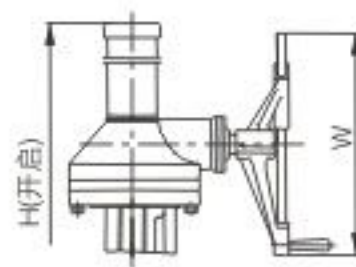
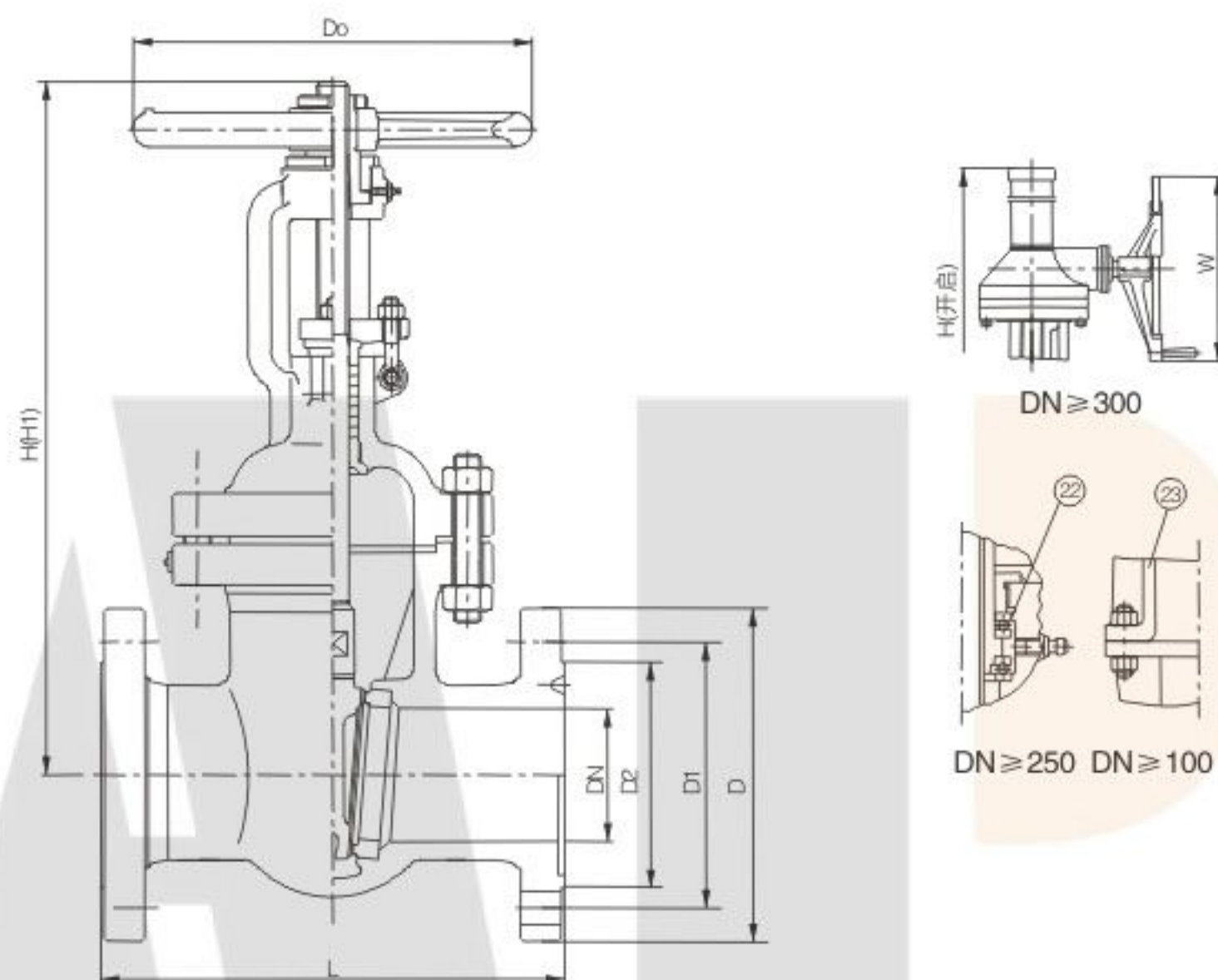
壳体材料 Shell material	适用介质 Applicable medium	适用温度℃ Applicable temperature
碳素钢 (C型)	水、蒸汽、油品 water, steam, oil goods	≤425
铬镍钛钢 (P型)	硝酸类 nitric acid	≤200
铬镍钼钢 (R型)	醋酸类 acetic acid	≤200
铬钼钢 (I型)	水、蒸汽、油品 water, steam, oil goods	≤550

材料列表 Material list

阀体、阀盖 Body bonnet	阀板、阀座 Wedge disc, seat ring	阀杆 Stem	阀杆螺母 Yoke nut	填料 Packing	手轮 Hand wheel
碳素钢 Carburizing steel	优质碳钢+硬质合金或不锈钢 High-grade carbon steel+carbide alloy or stainless steel	铬不锈钢 Cr. Stainless steel	铝青铜 Aluminumbronze. Bronze	石墨石棉盘根 Graphite. Asbestos coils	可锻铸铁 Foraeable cast iron
铬镍钛钢 Cr. Ni, steel	不锈钢、不锈钢+硬质合金 Stainless steel or+carbide alloy	铬镍钛不锈钢 Cr. Ni. Ti stainless steel	铝青铜 Aluminumbronze. Bronze	浸聚四氟乙烯 Dipping polytetrafluoroethylene	可锻铸铁 Foraeable cast iron
铬镍钼钛钢 Cr. Ni. Mo. Ti steel	不锈钢、不锈钢+硬质合金 Stainless steel or+carbide alloy	铬镍钼钛不锈钢 Cr. Ni. Ti stainless steel	铝青铜 Aluminumbronze. Bronze	烯石棉盘根 Asbestos coil	可锻铸铁 Foraeable cast iron
铬钼钢 Cr, Mo steel	合金钢+硬质合金 Alloy steel+carbide alloy	铬钼钒钢 Cr. Mo ai steel	铝青铜 Aluminumbronze. Bronze	柔性石墨 Flexible graphite	可锻铸铁 Foraeable cast iron

主要尺寸 Main Dimension

公称口径 DN	主要外形和连接尺寸 Main external and connection dimension										WT (kg)
	L	D	D1	D2	b	f	Z-d	H	H1	Do	
Z40H Z41Y -16	Z40 Z41 Y-16P	Z40 Z41 Y-16R	Z40 Z41 W-16P	Z40 Z41 W-16R	Z40 Z41 Y-16I	(KZ41Y)					
15	130	95	65	45	14	2	4-14	220	240	120	4
20	150	105	75	55	14	2	4-14	255	284	140	5
25	160	115	85	65	14	2	4-14	275	303	160	6
32	180	135	100	78	16	2	4-18	280	321	180	7
40	200	145	110	85	16	3	4-18	300	352	200	18
50	250	160	125	100	16	3	4-18	358	438	240	29
65	265	180	145	120	18	3	4-18	375	450	240	33
80	280	195	160	135	20	3	8-18	438	528	280	46
100	300	215	180	155	20	3	8-18	502	620	320	63
125	325	245	210	185	22	3	8-18	612	753	360	108
150	350	280	240	210	24	3	8-23	676	847	360	134
200	400	335	295	265	26	3	12-23	820	1039	400	192
250	450	405	355	320	30	3	12-25	969	1245	450	273
300	500	460	410	375	30	3	12-25	1142	1472	560	379
350	550	520	470	435	34	4	16-25	1280	1450	640	590
400	600	580	525	485	36	4	16-30	1452	1887	640	850
450	650	640	585	545	40	4	20-30	1541	2011	720	907
500	700	705	650	608	44	4	20-34	1676	2181	720	958
600	800	840	770	718	48	5	20-41	1874	2346	800	1112
Z40H Z41Y -25	Z40 Z41 Y-25P	Z40 Z41 Y-25R	Z40 Z41 W-25P	Z40 Z41 W-25R	Z40 Z41 Y-25I	(KZ41Y)					
15	130	95	65	45	16	2	4-14	220	240	120	4
20	150	105	75	55	16	2	4-14	255	284	140	5
25	160	115	85	65	16	2	4-14	275	303	160	6
32	180	135	100	78	18	2	4-18	280	321	180	7
40	200	145	110	85	18	3	4-18	300	352	200	18
50	250	160	125	100	20	3	4-18	358	438	240	28
65	265	180	145	120	22	3	8-18	375	450	240	33
80	280	195	160	135	22	3	8-18	433	528	280	46
100	300	230	190	160	24	3	8-23	502	620	320	64
125	325	270	220	188	28	3	8-25	612	753	360	116
150	350	300	250	218	30	3	8-25	676	847	360	141
200	400	360	310	278	34	3	12-25	820	1039	400	213
250	450	425	370	332	36	3	12-30	969	1245	450	290
300	500	485	430	390	40	4	16-30	1142	1472	560	400
350	550	550	490	448	44	4	16-34	1280	1450	640	631
400	600	610	550	505	48	4	16-34	1452	1887	640	900
450	650	660	600	555	50	4	20-34	1541	2011	720	1013
500	700	730	660	610	52	4	20-41	1676	2181	720	1166
600	800	840	770	718	56	5	20-41	1874	2346	800	1258

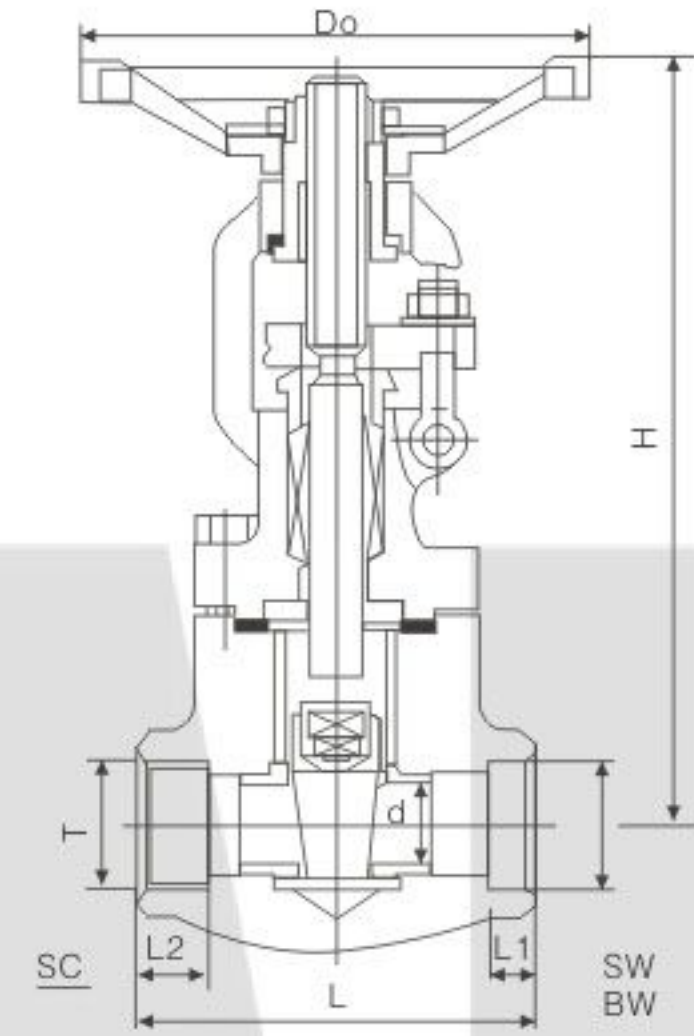


主要尺寸 Main Dimension

公称直径 DN	主要外形和连接尺寸 Main external and connection dimension												WT (kg)
	L	D	D1	D2	D6	b	f	f2	Z-d	H	H1	Do	
Z40H Z41Y -40	Z40Y-40P Z41	Z40Y-40R Z41	Z40W-40P Z41	Z40W-40R Z41	Z40Y-40 (KZ41Y)								
20	150	105	75	55	51	16	2	4	4-14	256	285	140	8
25	160	115	85	95	58	16	2	4	4-14	275	305	160	9.3
32	180	135	100	78	66	18	2	4	4-18	287	322	180	12
40	200	145	110	85	76	18	3	4	4-18	323	369	200	16.5
50	250	160	125	100	88	20	3	4	4-18	372	440	280	29
65	280	180	145	120	110	22	3	4	8-18	395	473	280	39
80	310	195	160	135	121	22	3	4	8-18	457	552	320	52
100	350	230	190	160	150	24	3	4.5	8-23	552	671	360	80
125	400	270	220	188	176	28	3	4.5	8-25	634	726	400	127
150	450	300	250	218	204	30	3	4.5	8-25	708	883	400	154
200	550	375	320	282	260	38	3	4.5	12-30	858	1086	450	263
250	650	445	385	345	313	42	3	4.5	12-34	1015	1298	560	368
300	750	510	450	408	364	46	4	4.5	16-34	1203	1535	640	547
350	850	570	510	465	422	52	4	5	16-34	1341	1678	640	679
400	950	665	585	535	474	58	4	5	16-41	1492	1903	720	953
Z40H Z41Y -64	Z40Y-64P Z41	Z40Y-64R Z41	Z40W-64P Z41	Z40W-64R Z41	Z40Y-64I (KZ41Y)								
20	190	125	90	68	51	20	2	4	4-18	258	288	180	8
25	210	135	100	78	58	22	2	4	4-18	310	341	200	12
32	230	150	110	82	66	24	2	4	4-23	320	353	200	25
40	240	165	125	95	76	24	3	4	4-23	360	389	240	29
50	250	175	135	105	88	26	3	4	4-23	372	448	280	34
65	280	200	160	130	110	28	3	4	8-23	395	475	280	43
80	310	210	170	140	121	30	3	4	8-23	458	553	320	60
100	350	250	200	168	150	32	3	4	8-25	553	679	360	89
125	400	295	240	202	176	36	3	4.5	8-30	638	779	400	140
150	450	340	280	240	204	38	3	4.5	8-34	718	893	450	207
200	550	405	345	300	260	44	3	4.5	12-34	873	1100	560	325
250	650	470	400	352	313	48	3	4.5	12-41	1053	1332	640	467
300	750	530	460	412	364	54	4	4.5	16-41	1203	1535	640	590

主要尺寸 Main Dimension

Z40H Z41Y -100	Z40Y-100P Z41	Z40Y-100R Z41	Z40W-100P Z41	Z40W-100R Z41	Z40Y-100I Z41	(KZ41Y)							
25	210	135	100	78	58	24	2	4	4-18	310	341	200	12
32	230	150	110	82	66	24	2	4	4-18	320	353	240	20
40	240	165	125	95	76	26	3	4	4-23	360	389	280	51
50	250	195	145	112	88	28	3	4	4-23	490	558	360	60
65	280	220	170	138	110	32	3	4	8-25	540	622	400	70
80	310	230	180	148	121	34	3	4	8-25	573	671	400	89
100	350	265	210	172	150	38	3	4.5	8-30	575	671	400	130
125	400	310	250	210	176	42	3	4.5	8-34	744	892	560	223
150	450	350	290	250	204	46	3	4.5	12-34	800	972	560	295
200	550	430	360	312	260	54	3	4.5	12-41	800	972	560	559
250	650	500	430	382	313	60	3	4.5	12-41	1050	1305	640	640
300	750	585	500	442	364	70	4	4.5	16-48	1208	1506	640	730
Z40H Z41Y -160	Z40Y-160P Z41	Z40Y-160R Z41	Z40W-160P Z41	Z40W-160R Z41	Z40Y-160I Z41	(KZ41Y)							
15	170	110	75	52	40	24	2	4	4-18	230	250	200	8
20	190	130	90	62	51	26	2	4	4-23	260	288	200	9
25	210	140	100	72	58	28	2	4	4-23	280	310	280	13
32	230	165	115	85	66	30	2	4	4-25	312	350	320	20
40	240	175	125	92	76	32	3	4	4-27	350	395	320	32
50	300	215	165	132	88	36	3	4	8-25	512	612	360	73
65	340	245	190	152	110	44	3	4	8-30	560	677	360	110
80	390	260	205	168	121	46	3	4	8-30	585	686	400	141
100	450	300	240	200	150	48	3	4.5	8-34	631	751	450	185
125	525	355	285	239	176	60	3	4.5	8-41	723	868	560	320
150	600	390	318	270	204	66	3	4.5	12-41	820	997	640	462
200	750	480	400	345	250	78	3	4.5	12-48	990	1224	720	711

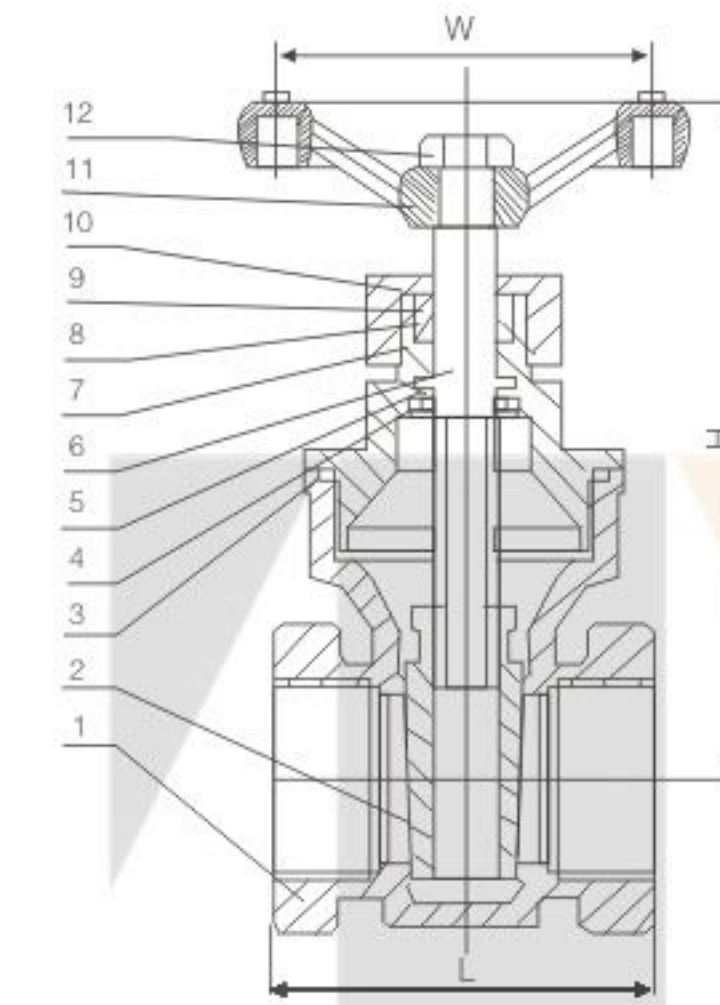


主要配件材质 Material list

序号 No.	名称 Parts Name	美标碳钢	美标合金钢	美标不锈钢	
		Type A 105	Type F22	Type F304(L)	Type F316(L)
1	阀体 Body	A105	A182 F22	A182 F304(L)	A182 F316(L)
2	阀座 Seat	A276 420	A276 304	A276 F304(L)	A276 F316(L)
3	闸板 Disc	A276 430 410	A182 F304	A182 F304(L)	A182 F316(L)
4	阀杆 Stem	A182 F6	A182 F304	A182 F304(L)	A182 F316(L)
5	垫片 Gasket	Corrugated SS+graphite		SS+PTFE	
6	阀盖 Bonnet	A105	A182 F22	A182 F304(L)	A182 F316(L)
7	螺栓 Bolts	A193 B7	A193 B16	A193 B8	A193 B8M
8	填料压套 Gland	A276 410		A182 F304(L)	A182 F316(L)
9	活节螺丝 EYE BOLT	A193 B7	A193 B16	A193 B8	A193 B8M
10	填料压盖 Packing Gland	A105	A182 F11	A182 F304(L)	A182 F316(L)
11	螺母 Nuts	A194 2H	A 194 4	A194 8	A194 8M
12	阀杆螺母 Stem Nuts	A276 420/Cu-Alloy(铜合金)			
13	手轮锁紧螺母 Hand wheel lock nut	A 194 2H	A194 4	A 194 8	A194 8M
14	填料 Packing	Flexible Graphite		PTFE	
适用介质 Applicable Medium		(水、油、气等)W.O.G.etc (酸类)Nitric Acid etc			
适用温度 Applicable Temperature		-29°C ~ 425°C		-29°C ~ 550°C	

主要尺寸 Main Dimensions:

口径	缩径RB	3/8"	1/2"	3/4"	1"	1 1/4"	1 1/2"	2"	
NPS	全径FB		3/8"	1/2"	3/4"	1"	1 1/4"	1 1/2"	
L	150 ~ 800Lb	79	79	92	111	120	120	140	
	900Lb	79	92	111	120	120	140	178	
	1500Lb	111	111	111	114	120	140	162	
H(OPEN)	150 ~ 800Lb	158	158	169	197	236	246	283	
	900 ~ 1500Lb	169	197	197	236	246	283	330	
W	150 ~ 800Lb	100	100	100	125	160	160	180	
	900 ~ 1500Lb	100	125	125	160	160	180	200	
Weights	Bolted	150 ~ 800Lb	2.1	2	2.3	4.3	5.9	6.9	11.1
		900 ~ 1500Lb	2.5	4.3	4.2	6.6	8.8	12.5	17.2
	Welded	150 ~ 800Lb	1.8	1.7	2	3.8	5.1	6.1	10.2
		900 ~ 1500Lb	2.4	4.2	4	6.3	8.7	12.1	17.2



特点

全通径流量
产品规格从1/2"到2"
工作压力: 200PSI
内螺纹端可按BSPT、NPT、DIN2999制造

Feature

Full bore
Size: 1/2" to 2"
Working pressure: 200PSI
Female threaded end: BSPT, NPT, DIN2999

材料列表 Material list

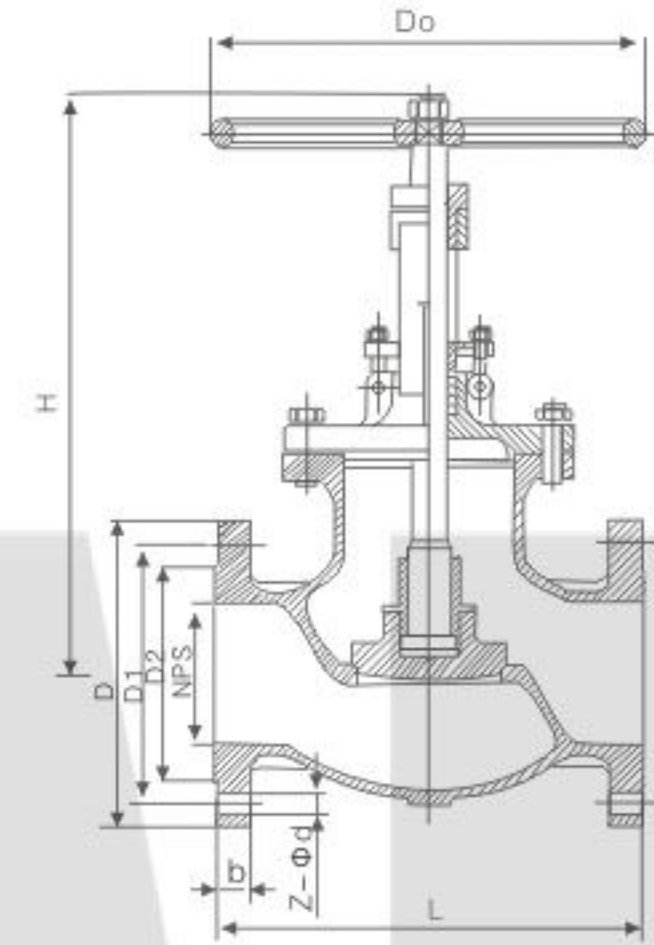
NO	部件名称 Part name	材料 Material	
1	阀体 Body	CF8M	CF8
2	闸板 Disc	CF8M	CF8
3	密封圈 Seal ring	SS316	SS316
4	卡簧 Snap spring	316	
5	弹垫 Washer	PTFE	
6	杆 Stem	SS316	SS316
7	阀盖 Bonnet	CF8M	CF8
8	填料 Ptee	PTFE	
9	垫片 Gasket	PTFE	
10	压盖螺母 Gland nut	Ss316	
11	手轮 Hand wheel	HT(C.R)	
12	螺母 Nut	SS316	

产品性能规范 Specification

型号	公称压力PN (MPa)	试验压力PS (MPa)		工作压力P (MPa)		适用介质
		壳体	密封	P20	P42	
Z11H-25	2.5	3.8	2.8	2.5	1.4	水、蒸汽、油品等 非腐蚀性介质
Z11H-40	4	6	4.4	4	2.3	
Z11H-64	6.4	9.6	7	6.4	3.7	
Z11H-100	10	15	11	10	4.4	
Z11H-160	16	24	17.6	16	-	

主要尺寸 Main Dimensions:

NPS	d	H	L	W
1/2"	15	94	56.5	70
3/4"	20	102	60	70
1"	25	114	68	80
1-1/4"	32	124	75.5	80
1-1/2"	40	152.5	80	100
2"	50	169.5	90.5	100



产品执行标准 Technical standard

设计与制造 Desubg abd manufacture	结构长度 Face to face end to end	法兰尺寸 Flange dimension	对焊连接尺寸 Butt welding dimension	压力-温度 Pressure temperature lating	试验-检验 Inspection and test
ANSI B16.34、BS1873	ANSI B16.10	ANSI B16.5	ANSI B16.25	ANSI B16.34	API1598

产品性能规范 Chief property and specification

公称压力 (Lb)	强度试验 Shell test		水密封试验 Water seal test		气密封试验 Air seal test	
	Mpa	Lbf/in ²	Mpa	Lbf/in ²	Mpa	Lbf/in ²
150	3.1	450	2.2	315	0.5~0.7	60~100
300	7.8	1125	5.6	815		
600	15.3	2225	11.2	1630		
900	23.1	3350	16.8	2440		
1500	38.4	5575	28.1	4080		
2500	64.6	9367	47.4	6873		

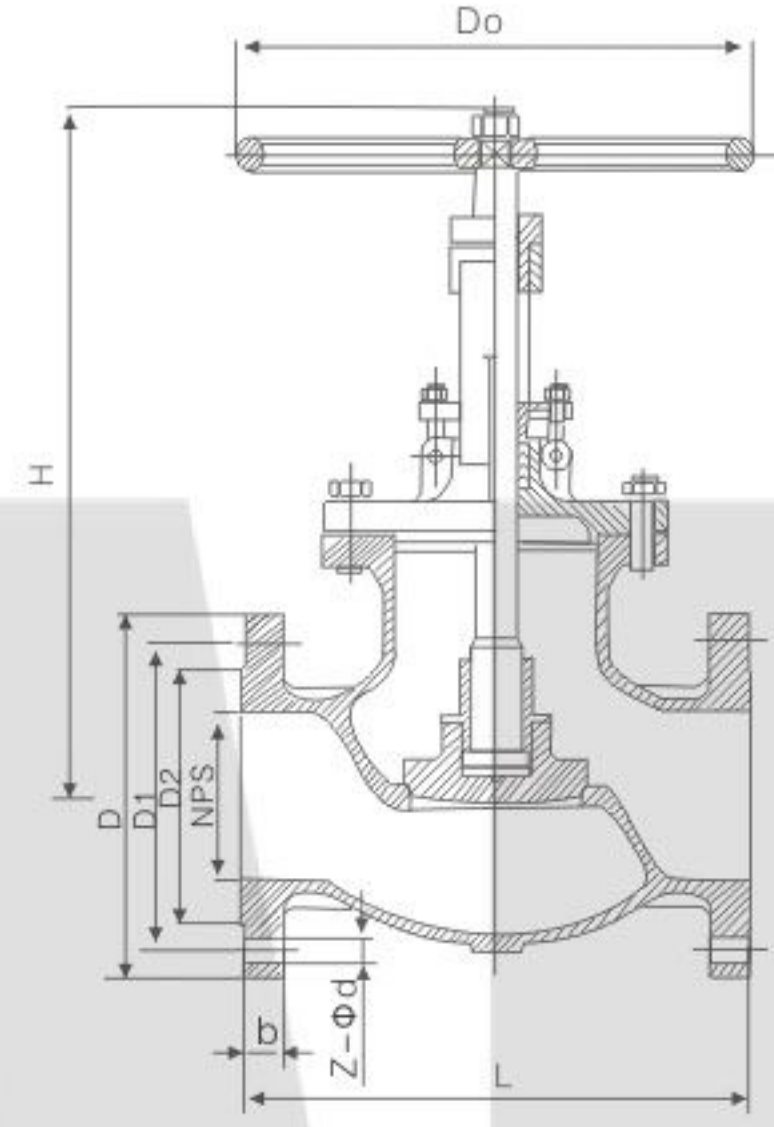
材料列表 Material list

体、盖、瓣 Body cover disc	阀杆 Stem	密封面 Sealing face	垫片 (环) Sealing shim	填料 Packing	工作温度 (°C) Working temperature	适用介质 Suitable medium
WCB	2Cr13	13Cr STL 本体材料 With bodemater rial PTFE 尼龙 Nylon	增强柔性石墨 13Cr/柔性石墨 Enhanced flexible graphite 1Cr13/Flexible graphite SFB-2 08软钢 08Soft steel F304 F316 F304L F316L	柔性石墨 增强柔性石墨 Flexible graphite enhanced flexible graphite SFB/260 SFP/260 PTFE	≤425	水、蒸汽、油品 water steam petroleum products
WC1	38CrMoAl				≤450	
WC6					≤540	
WC9					≤570	
C5 C12					≤540	
CF8	F304				硝酸、醋酸、尿素 Nitric acid aceic acid	≤600
CF3	F316					
CF8M	F304L					
CF3M	F316L					

主要尺寸 Main Dimension

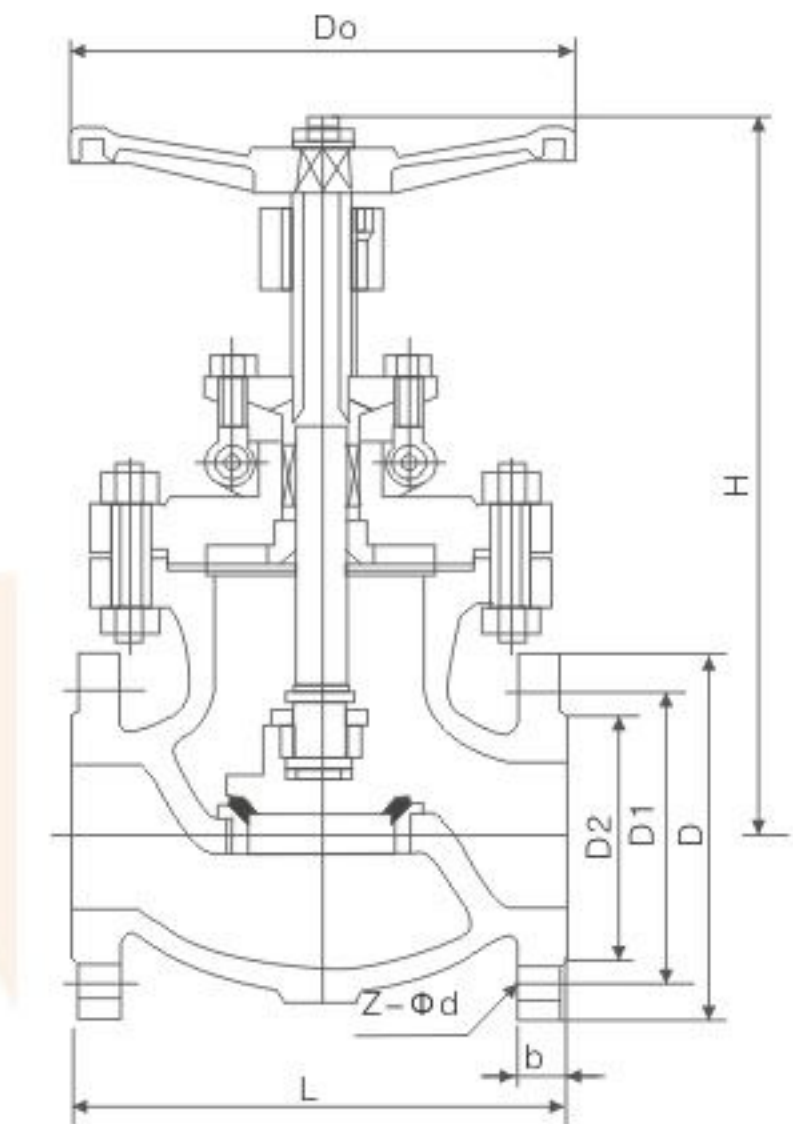
DN		150Lb			150LbP		150LbR			
mm	in	L	D	D1	D2	b	f	n-φd	H	D0
15	1/2"	108	90	60.3	34.9	10	2	4-16	163	100
20	3/4"	117	100	69.9	42.9	10.9	2	4-16	193	125
25	1"	127	110	79.4	50.8	11.6	2	4-16	250	160
32	1-1/4"	140	115	88.9	63.5	13.2	2	4-16	250	160
40	1-1/2"	165	125	98.4	73	14.7	2	4-16	291	180
50	2"	203	152	120.7	92.1	16.3	2	4-19	312	200
65	2-1/2"	216	180	139.7	104.8	17.9	2	4-19	387	200
80	3"	241	190	152.4	127	19.5	2	4-19	411	250
100	4"	292	230	190.5	157.2	24.3	2	8-19	454	250
125	5"	356	255	215.9	185.7	24.3	2	8-22	455	300
150	6"	406	280	241.3	215.9	25.9	2	8-22	541	350
200	8"	495	345	298.5	269.9	29	2	8-22	651	450
250	10"	622	405	362	323.8	30.6	2	12-26	800	450
300	12"	698	485	431.8	381	32.2	2	12-26	1213	500
350	14"	787	535	476.3	412.8	35.4	2	12-29	1450	600

DN		3000Lb			300LbP		300LbR			
mm	in	L	D	D1	D2	b	f	n-φd	H	D0
15	1/2"	152	95	66.7	34.9	14.7	2	4-16	163	100
20	3/4"	178	115	82.6	42.9	16.3	2	4-19	193	125
25	1"	203	125	88.9	50.8	17.9	2	4-19	250	160
32	1-1/4"	216	135	98.4	63.5	19.5	2	4-19	250	160
40	1-1/2"	229	155	114.3	73	21.1	2	4-22	291	180
50	2"	267	165	127	92.1	22.7	2	8-19	399	200
65	2-1/2"	292	190	149.2	104.8	25.9	2	8-22	438	200
80	3"	318	210	168.3	127	29	2	8-22	464	200
100	4"	356	255	200	157.2	32.2	2	8-22	565	250
125	5"	400	280	235	185.7	35.4	2	8-22	614	250
150	6"	444	320	269.9	215.9	37	2	12-22	717	300
200	8"	559	380	330.2	269.9	41.7	2	12-26	930	350
250	10"	622	445	387.4	323.8	48.1	2	16-29	1020	450
300	12"	711	520	450.8	381	51.3	2	16-32	1231	500



主要尺寸 Main Dimension

DN		600LB								
mm	in	L	D	D1	D2	b	f	n-φd	H	D0
15	1/2"	165	95	66.7	34.9	21.3	7	4-16	163	100
20	3/4"	190	115	82.6	42.9	22.9	7	4-19	193	125
25	1"	216	125	88.9	50.8	24.5	7	4-19	250	160
32	1-1/4"	229	135	98.4	63.5	27.7	7	4-19	250	160
40	1-1/2"	241	155	114.3	73	29.3	7	4-22	291	180
50	2"	292	165	127	92.1	32.4	7	8-19	444	250
65	2-1/2"	330	190	149.2	104.8	35.6	7	8-22	483	280
80	3"	356	210	168.3	127	38.8	7	8-22	533	320
100	4"	432	275	215.9	157.2	45.1	7	8-26	622	400
125	5"	508	330	266.7	185.7	51.5	7	8-29	750	450
150	6"	559	355	292.1	215.9	54.7	7	12-29	800	500
200	8"	660	420	349.2	269.9	62.6	7	12-32	927	550
250	10"	787	510	431.8	323.8	70.5	7	16-35	1257	600
300	12"	838	560	489	381	73.7	7	20-35	1468	700



产品执行标准 Technical standard

设计与制造 Desubg abd manufacture	结构长度 Face to face end to end	法兰尺寸 Flange dimension	压力-温度 Pressure temperature lating	试验-检验 Inspection and test
JIS B2071 B2081	JIS B2002	JIS B2212 B2214	JIS B2071 B2081	JIS B2003

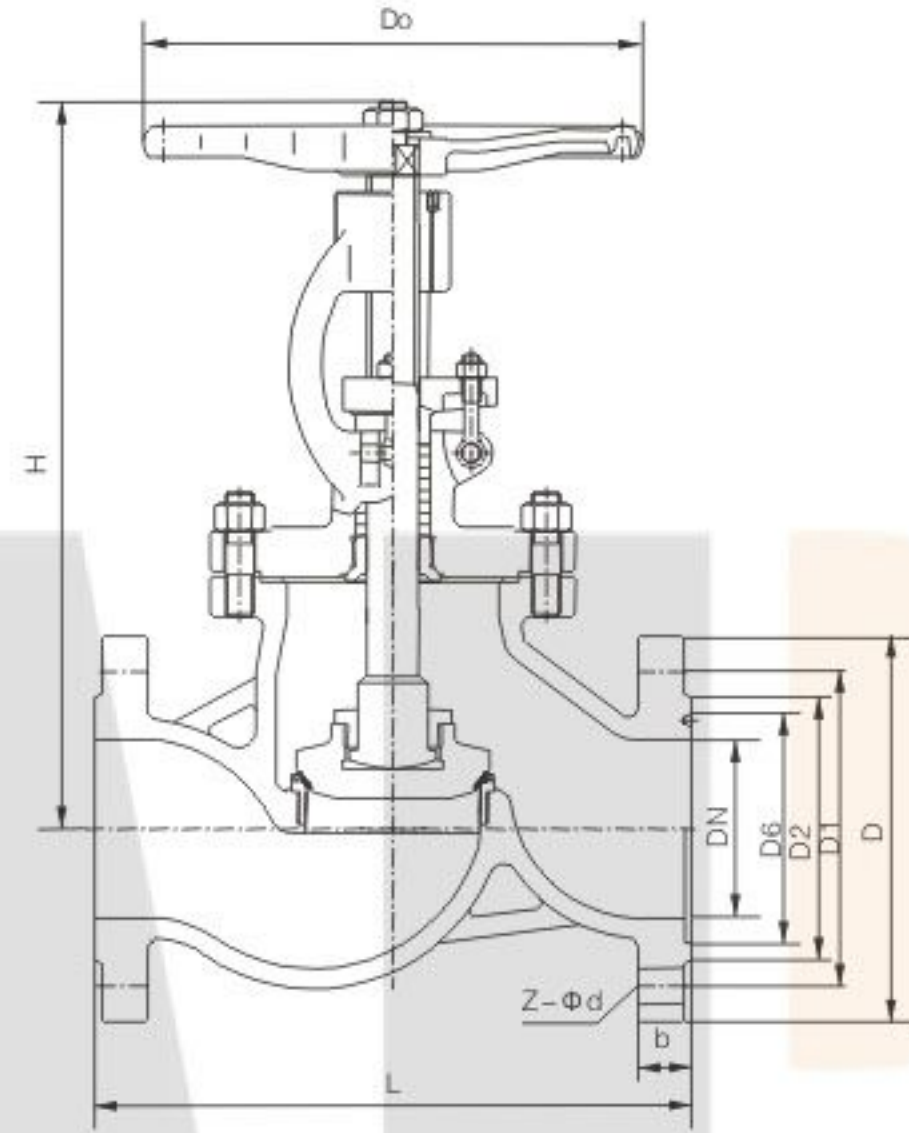
性能规范 Specification

阀体材料 Body material	SCPH2-11	SCPH-32	SCS 13A	SCS 19A	SCS 14A	SCS 16A	SCPL1
适用温度 Suitable temperature	≤425℃	≤540℃	≤275℃	≤200℃	≤275℃	≤200℃	-45~150℃
适用介质 Suitable medium	水、蒸汽、油品 water steam oil goods		硝酸类 nitric acia		硝酸类 nitric acia		氨气、液氨 liquid ammonia

主要尺寸 Main Dimension

DN		J41W-10K, J41H-10K								
mm	in	L	D	D1	D2	b	n-φd	H	Do	
50	2	203	155	120	100	16	4-19	360	200	
65	2 1/2	216	175	140	120	18	4-19	380	200	
80	3	241	185	150	130	18	8-19	415	250	
100	4	292	210	175	155	18	8-19	465	250	
125	5	356	250	210	185	20	8-23	515	300	
150	6	406	280	240	215	22	8-23	545	350	
200	8	495	330	290	265	22	12-23	675	450	

DN		J41W-20K, J41H-20K								
mm	in	L	D	D1	D2	b	n-φd	H	Do	
50	2	267	155	120	100	18	8-19	420	200	
65	2 1/2	292	175	140	120	20	8-19	465	250	
80	3	318	200	160	135	22	8-23	490	300	
100	4	356	225	185	160	24	8-23	590	350	
125	5	400	270	225	195	26	8-25	690	400	
150	6	444	305	260	230	28	12-25	760	450	
200	8	559	350	305	275	30	12-25	1070	450	



产品执行标准 Technical standard

产品规范 Product specification	设计规范 Design spec	结构长度 Face to face	连接法兰 Flange end	试验-检验 Test & check	压力-温度 Pressure - temp	产品标识 Marking	供货规范 Supply
	GB/T 12235	GB/T 12221	JB/T 79	JB/T 9092	GB/T 9131	GB/T 12220	JB/T 7928

产品性能规范 Chief property and specification

1、试验压力 Test pressure

公称压力(Lb)	1.6	2.5	4.0	6.4	10.0	16.0
Nominal pressure						
壳体强度试验	2.4	3.8	6.0	9.6	15	24
Shell strength test						
上密封试验	1.8	2.8	4.4	7.0	11	18
Back seal test						
密封试验	1.8	2.8	4.4	7.0	11	18
Seal test						

2、适用介质及适用温度
Applicable medium & applicable temperature

产品类型 Product type	适用介质 Applicable medium	适用温度℃ Applicable temperature
J41 ^H -C型 J941 ^H -C型	水、蒸汽、油品 water, steam, oil goods	≤425 ≤450
J41W-R型 J941W-P型	硝酸类 nitric acid	≤200
J41W-R型	盐酸类 hydrochloric acid	≤200
J41Y-I型 J941Y-I型	水、蒸汽、油品 water, steam, oil goods	≤550

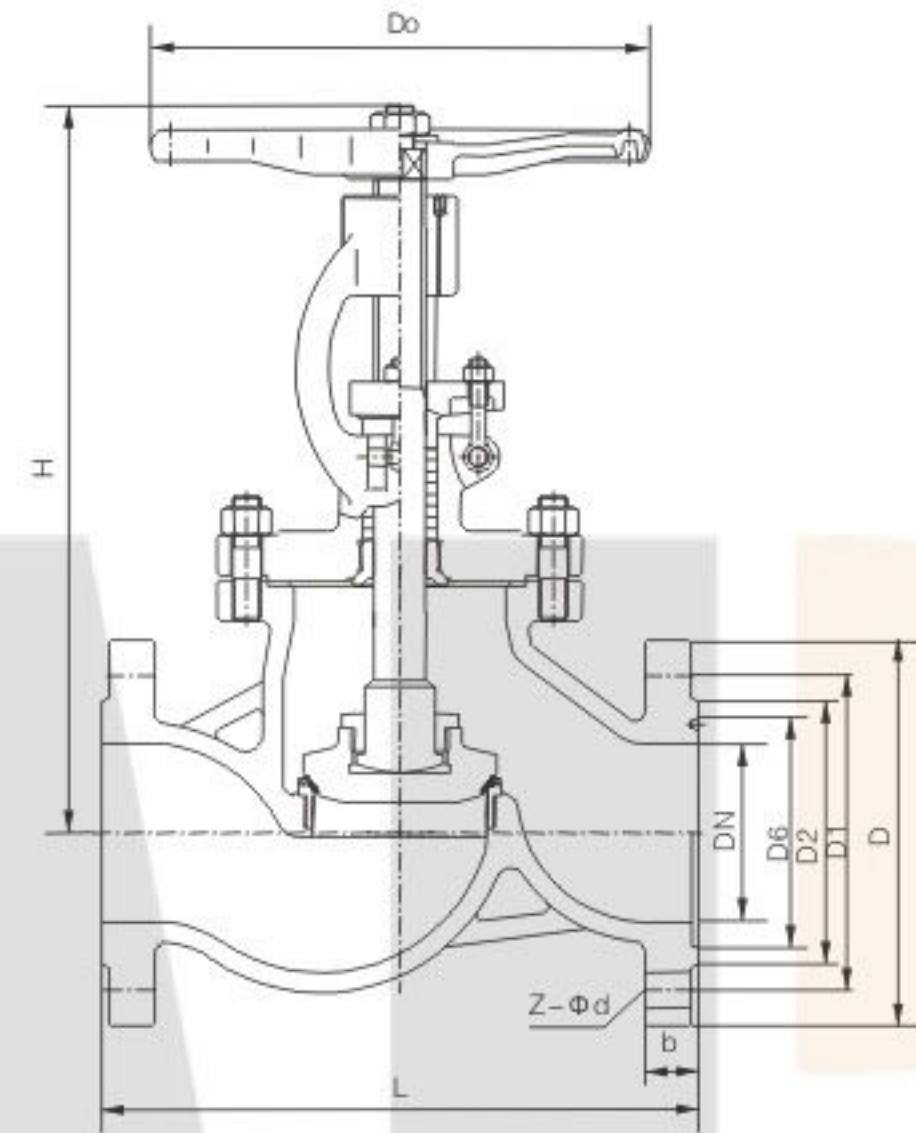
材料列表 Material list

产品类型 Product type	零件名称 Part name						
	阀体、阀盖 Body bonnte	阀杆 Stem	阀瓣 Sealing face	密封面 sealing face	阀杆螺母 Yoke nut	填料 Packing	手轮 Hand wheel
J41 ^H -C型 J941 ^H -C型	2.5WCB	铬不锈钢 Cr. Stainless steel	2Cr13 25	H:不锈钢 Y:钴基硬质合金 H: stainless steel Y: co-based carbide alloy steel	铝青铜 Aluminumbronze. Bronze	柔性石墨 Flexibie graphite	可锻铸铁 Foraeable cast iron
J41W-R型 J941W-P型	铬镍钛钢 Cr, Ni, Ti steel	铬镍钛钢 Cr, Ni, Ti steel	铬镍钛钢 Cr, Ni, Ti steel	铬镍钛钢 Cr, Ni, Ti steel	铝青铜 Aluminumbronze. Bronze	柔性石墨 Flexibie graphite	可锻铸铁 Foraeable cast iron
J41W-R型	铬镍钼钛钢 Cr, Ni, Mo, Ti steel	铬镍钼钢 Cr, Ni, Mo, Ti steel	铬镍钼钢 Cr, Ni, Mo, Ti steel	铬镍钼钢 Cr, Ni, Mo, Ti steel	铝青铜 Aluminumbronze. Bronze	柔性石墨 Flexibie graphite	可锻铸铁 Foraeable cast iron
J41Y-I型 J941Y-I型	铬钼钢 Cr, Mo steel	铬钼钢 Cr, Mo steel	合金钢 Alloy steel	钴基硬质合金 Co-based carbide alloy steel	铝青铜 Aluminumbronze. Bronze	柔性石墨 Flexibie graphite	可锻铸铁 Foraeable cast iron

主要尺寸 Main Dimension

公称通径 DN	主要外形和连接尺寸 Main external and connection dimension								WT (kg)
	L	D	D1	D2	b	Z-d	H	DO	
	J41 ^H -16C		J41W-16P		J41W-16R		J41Y-16I		
10	130	90	60	40	14	4-14	198	120	4.7
15	130	95	65	45	16	4-14	218	120	5.2
20	150	105	75	55	16	4-14	258	140	7.1
25	160	115	85	65	16	4-14	275	160	7.4
32	180	135	100	78	18	4-18	280	180	8.5
40	200	145	110	85	18	4-18	330	200	12.5
50	230	160	125	100	18	4-18	350	240	20
65	290	180	145	120	18	4-18	400	280	25
80	310	195	160	135	20	8-18	355	280	35
100	350	215	180	155	22	8-18	415	320	50
125	400	245	210	185	24	8-18	460	360	75
150	480	280	240	210	24	8-23	510	400	100
200	600	335	295	265	26	12-23	710	400	210
250	650	405	355	320	30	12-23	768	450	446
300	750	460	410	375	30	12-23	925	500	648

公称通径 DN	主要外形和连接尺寸 Main external and connection dimension										电动装置 electric device		WT(kg)			
	L	D	D1	D2	b	f	Z-d	H手	H电	DO	手动	电动				
	J41 ^H -25		J41W-25P		J41W-25R		J41Y-25I		J941 ^H -25		J941W-25P		J941W-25R		J941W-25I	
10	130	90	60	40	16	2	4-14	198	-	120	-	4.9	-			
15	130	95	65	45	16	2	4-14	218	-	120	-	5.4	-			
20	150	105	75	55	16	2	4-14	258	-	140	-	7	-			
25	160	115	85	65	16	2	4-14	275	-	160	-	7.4	-			
32	180	135	100	78	18	2	4-18	280	-	180	-	8.5	-			
40	200	145	110	85	18	3	4-18	330	-	200	-	12.5	-			
50	230	160	125	100	20	3	4-18	350	645	240	DZW101	16	50			
65	290	180	145	120	22	3	8-18	400	690	280	DZW101	25	62			
80	310	195	160	135	22	3	8-18	355	715	280	DZW151	30	67			
100	350	230	190	160	24	3	8-23	415	770	320	DZW20	34.5	73			
125	400	270	220	188	28	3	8-25	460	780	360	DZW30	89	127			
150	480	300	250	218	30	3	8-25	510	875	400	DZW45	98	215			
200	600	360	310	278	34	3	12-25	710	967	400	DZW60	180	322			
250	650	425	370	332	36	3	12-30	786	-	450	-	446	-			
300	750	485	430	390	40	4	12-30	925	-	500	-	654	-			



主要尺寸 Main Dimension

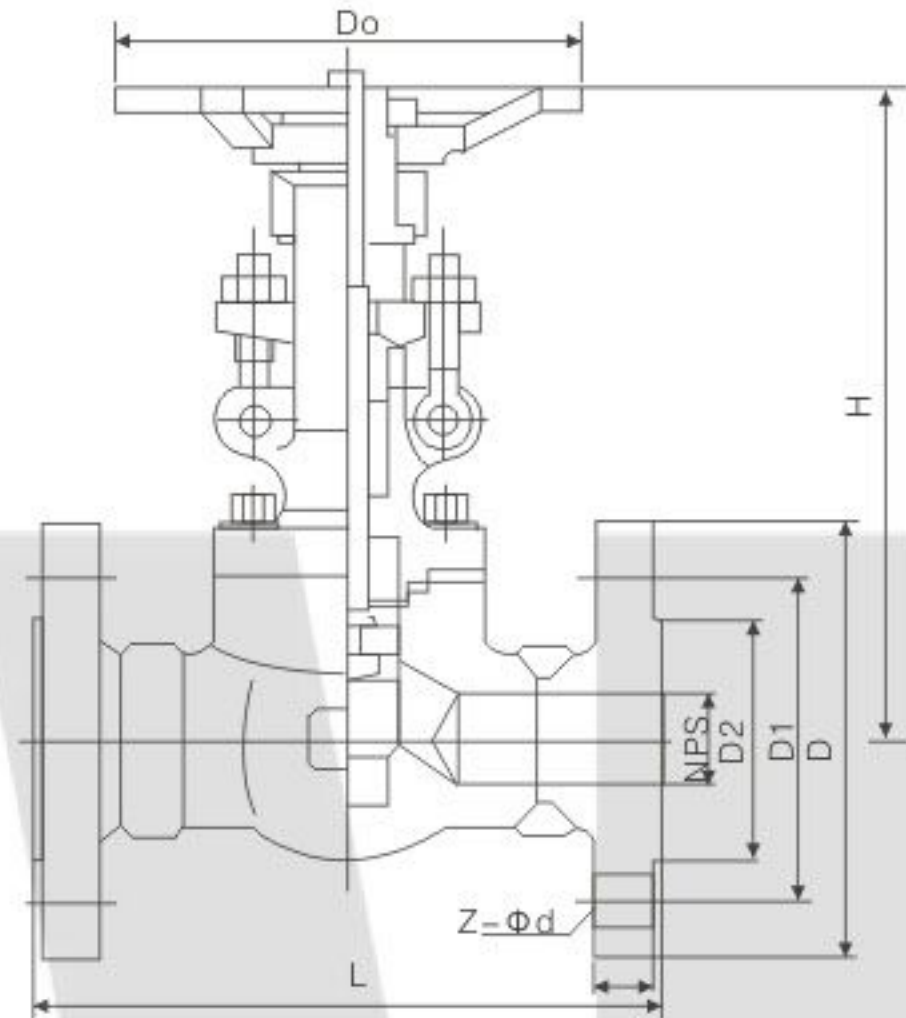
公称通径 DN	主要外形和连接尺寸 Main external and connection dimension												电动装置 electric device		WT(kg)	
	L	D	D1	D2	D6	b	f	f2	Z-d	H手	H电	DO	手动	电动		
	J41W-40	J41W-40P	J41W-40R	J41Y-40I	J941W-40	J941W-40P	J941W-40R	J941W-40I								
10	130	90	60	40	35	16	2	4	4-14	198	-	120	-	4.9	-	
15	130	95	65	45	40	16	2	4	4-14	233	-	120	-	5.4	-	
20	150	105	70	55	51	16	2	4	4-14	275	-	140	-	7	-	
25	160	115	80	65	58	16	2	4	4-14	285	-	160	-	8.8	-	
32	180	135	100	78	66	18	2	4	4-18	302	-	180	-	11.8	-	
40	200	145	110	85	76	18	3	4	4-18	355	-	200	-	16.5	-	
50	230	160	125	100	88	20	3	4	4-18	373	645	240	DZW101	24	61	
65	290	180	145	120	110	22	3	4	8-18	408	690	280	DZW101	33	75	
80	310	195	160	135	121	22	3	4	8-18	436	715	320	DZW201	44	84	
100	350	230	190	160	150	24	3	4.5	8-23	480	770	360	DZW301	60	101	
125	400	270	220	188	176	28	3	4.5	8-25	558	782	400	DZW45	89	207	
150	480	300	250	218	204	30	3	4.5	8-25	611	875	400	DZW60	98	226	
200	600	375	320	282	260	38	3	4.5	12-30	720	1160	400	DZW901	190	339	

主要尺寸 Main Dimension

公称通径 DN	主要外形和连接尺寸 Main external and connection dimension												电动装置 electric device		WT (kg)	
	L	D	D1	D2	D6	b	f	f2	Z-d	H手	H电	DO	手动	电动		
	J41Y-64	J941Y-64	J941Y-64	J41Y-64I	J941Y-64I											
10	170	100	70	50	35	18	2	4	4-14	198	-	120	-	5.7	-	
15	170	105	75	55	41	18	2	4	4-14	195	-	140	-	10	-	
20	190	125	90	68	51	20	2	4	4-18	228	-	160	-	13	-	
25	210	135	100	78	58	22	2	4	4-18	275	-	180	-	14.5	-	
32	230	150	110	82	66	24	2	4	4-23	325	-	200	-	19	-	
40	260	165	125	95	76	24	3	4	4-23	360	-	240	-	25	-	
50	300	175	135	105	88	26	3	4	8-23	410	710	280	DZW10	35	64	
65	340	200	160	130	110	28	3	4	8-23	450	750	320	DZW15	48	77	
80	380	210	170	140	121	30	3	4	8-23	485	785	360	DZW30	56	88	
100	430	250	200	168	150	32	3	4	8-23	537	837	400	DZW45	125	171	
125	500	295	240	202	176	26	3	4	8-30	631	-	400	-	131	-	
150	550	340	280	240	204	38	3	4	8-34	646	-	450	-	157	-	
200	650	405	345	300	260	44	3	4	12-34	813	-	500	-	283	-	

公称通径 DN	主要外形和连接尺寸 Main external and connection dimension												电动装置 electric device		WT(kg)	
	L	D	D1	D2	D6	b	f	f2	Z-d	H手	H电	DO	手动	电动		
	J41Y-100	J941Y-100	J41Y-100I	J941Y-100I												
10	170	100	70	50	35	20	2	4	4-14	198	-	120	-	6	-	
15	170	105	75	55	40	20	2	4	4-14	202	-	140	-	11	-	
20	190	125	90	68	51	22	2	4	4-18	228	-	160	-	13.2	-	
25	210	135	100	78	58	24	2	4	4-18	250	-	180	-	14	-	
32	230	150	110	82	66	24	2	4	4-23	326	-	220	-	15	-	
40	260	165	125	95	76	26	3	4	4-23	359	-	240	-	29	-	
50	300	195	145	112	88	28	3	4	4-25	414	710	280	DZW15	49	82	
65	340	220	170	138	110	32	3	4	8-25	434	750	320	DZW20	65	104	
80	380	230	180	148	121	34	3	4	8-25	547	785	400	DZW30	95	138	
100	430	265	210	172	150	38	3	4.5	8-30	621	837	450	DZW45	115	243	
125	500	310	250	210	176	42	3	4.5	8-34	732	-	450	-	149	-	
150	550	350	290	250	204	46	3	4.5	12-34	840	-	500	-	310	-	
200	650	430	360	312	260	54	3	4.5	12-41	925	-	550	-	590	-	

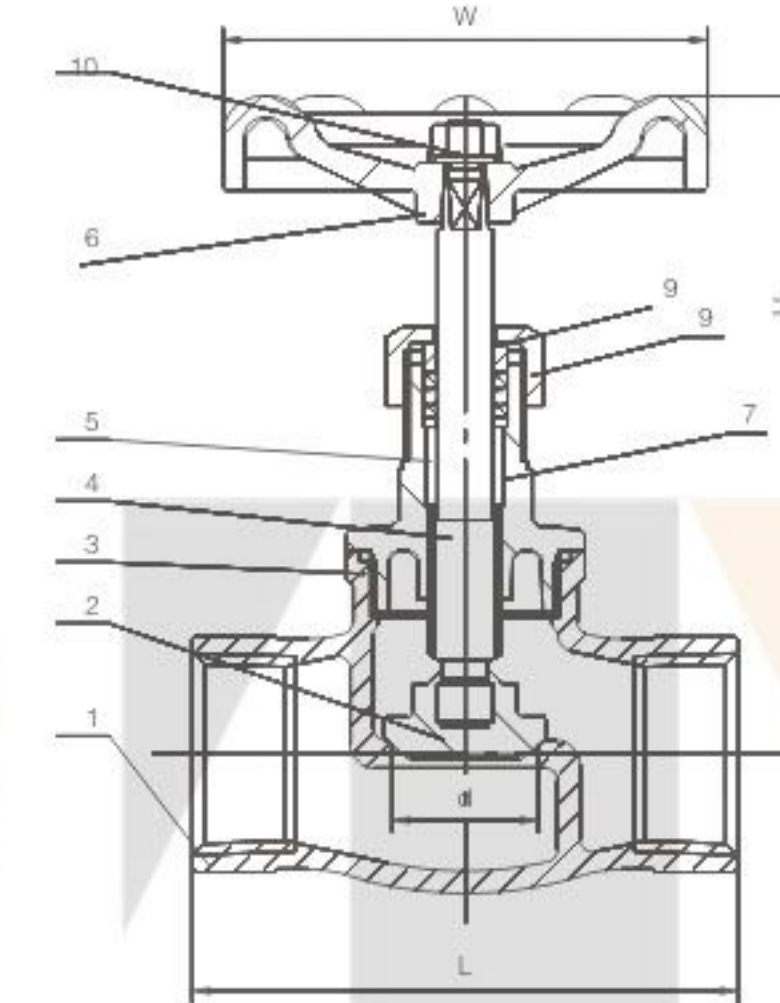
公称通径 DN	主要外形和连接尺寸 Main external and connection dimension												电动装置 electric device		WT(kg)	
	L	D	D1	D2	D6	b	f	f2	Z-d	H手	H电	DO	手动	电动		
	J41Y-100	J941Y-100	J41Y-100I	J941Y-100I												
15	170	110	75	52	40	24	2	4	4-18	148	-	140	-	12.2	-	
20	190	130	90	65	51	26	2	4	4-23	156	-	160	-	15	-	
25	210	140	100	72	58	28	2	4	4-23	125	-	180	-	17	-	
32	230	165	115	85	66	30	2	4	4-25	200	-	200	-	21.4	-	
40	260	175	125	92	76	32	3	4	4-27	231	-	240	-	32	-	
50	300	215	165	132	88	36	3	4	8-25	262	-	250	-	52	-	
65	340	245	190	152	110	44	3	4	8-30	303	-	320	-	69	-	
80	380	260	205	168	121	46	3	4	8-30	341	-	400	-	98	-	
100	430	300	240	200	150	48	3	4.5	8-34	485	-	450	-	119	-	



主要尺寸 Main Dimension

公称口径 DN	主要外形和连接尺寸 Main external and connection dimension									WT (kg)
	L	d	S	L1	T	L2	H	DO		
	J41H-16	CJ41H-25	J41H-40	J11H-16	CJ11H-25	J11H-40	J61H-16C	J61H-25	J61H-40	
15	90	13	22.5	10	1/2	15	159	98	6.9	
20	100	18	28.5	11	3/4	17	190	112	9.8	
25	120	23	34.5	12	1	19	208	126	13.5	
32	140	29	43	14	1 1/4	21	216	166	19.5	
40	170	36	49	15	1 1/2	21	247	188	28.5	
50	200	46	61	16	2	25	290	220	30.3	
	J41H-64	J11H-64	J61H-64							
15	90	13	22.5	10	1/2	15	159	98	7.7	
20	100	18	28.5	11	3/4	17	190	112	11.3	
25	120	23	34.5	12	1	19	208	126	16.8	
32	140	29	43	14	1 1/4	21	216	166	21.2	
40	170	36	49	15	1 1/2	21	258	188	32.6	
50	210	46	61	16	2	25	405	220	35	

公称口径 DN	主要外形和连接尺寸 Main external and connection dimension									WT (kg)
	L	d	S	L1	T	L2	H	DO		
	J41Y-100	J11Y-100	J61Y-100							
15	90	13	22.5	10	1/2	15	159	98	7.8	
20	100	18	28.5	11	3/4	17	190	112	12.5	
25	120	23	34.5	12	1	19	208	126	17.5	
32	140	29	43	14	1 1/4	21	216	166	23.5	
40	170	36	49	15	1 1/2	21	247	188	38.5	
50	200	46	61	16	2	25	290	220	42.2	
	J41Y-160	J11Y-160	J61Y-160							
15	90	13	22.5	10	1/2	15	159	98	8.2	
20	100	18	28.5	11	3/4	17	190	112	13.8	
25	120	23	34.5	12	1	19	208	126	18.5	
32	140	29	43	14	1 1/4	21	216	166	25.5	
40	170	36	49	15	1 1/2	21	258	188	41.5	
50	210	46	61	16	2	25	405	220	49	



特点

全通径流量
产品规格从1/2"到2"
工作压力: 200PSI
内螺纹端可按BSPT、NPT\DN2999制造

Feature

Full bore
Size: 1/2" to 2"
Working pressure: 200PSI
Female threaded end: BSPT, NPT, DIN2999

材料列表 Materialist

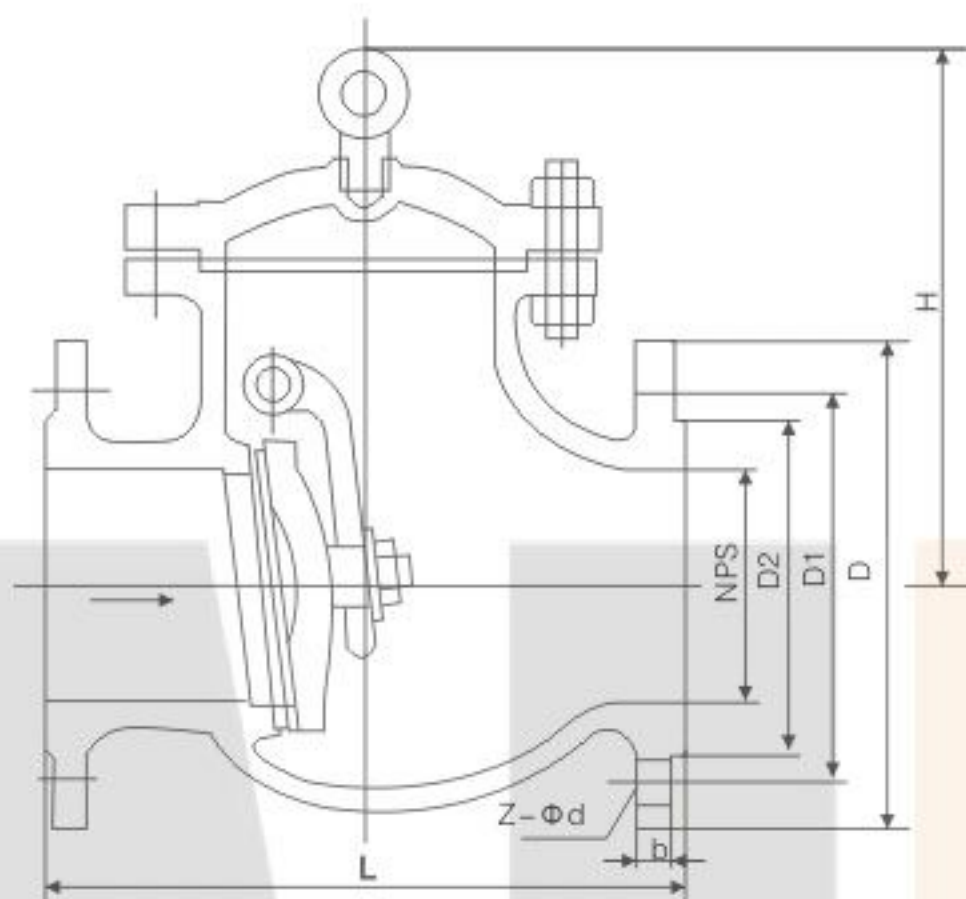
NO	部件名称	Part name	材料 Material	
1	阀体	Body	CF8M	CF8
2	阀瓣	Disc	CF8M	CF8
3	密封圈	Seal ring	SS316	SS316
4	阀杆	Stem	SS316	SS304
5	填料	Ptee	PTFE	
6	手轮	Hand whee	HT(C.R)	
7	阀盖	Bonnet	CF8M	CF8
8	压盖螺母	Gland nut	SS316	
9	填料螺母	Packing gasket	SS316	
10	螺母	Nut	SS316	

螺纹截止阀主要性能规范 Specification

型号	公称压力	试验压力PS (Mpa)		工作压力PN(Mpa)	工作温度(°C)	适用介质
		壳体	密封			
J11W-16	1.6	2.5	1.76	1.6	≤100	油类
J11W-16K						Oil
J11W-16P						硝酸类腐蚀性介质
J11W-16R						醋酸类腐蚀性介质
J11W-16Ni					≤350	碱液、盐水、海水等

主要尺寸 Main Dimension

NPS	d	H	L	W
1/2"	15	105	50	70
3/4"	20	108	60	70
1"	25	135	65	80
1-1/4"	32	145	75	80
1-1/2"	40	155	85	90
2"	50	185	95	100



产品执行标准 Technical standard

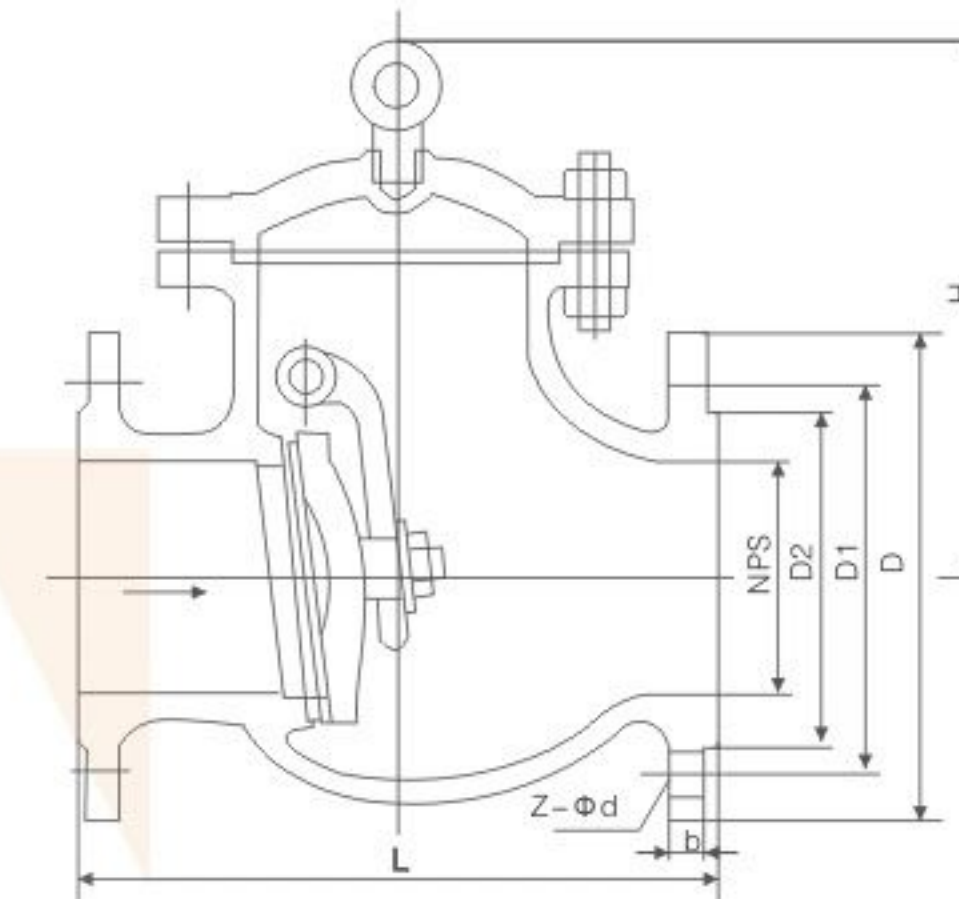
类型 TYPE	设计与制造 Design and manufacture	结构长度 Face to face end to end	法兰尺寸 Flange dimension	压力-温度 Pressure-temperature rating	试验-检验 Inspection and test
旋启式止回阀 Swing check valve	ANSI B 16.34	ANSI B 16.10	ANSI B 16.15	ANSI B 16.34	API 1598
升降式止回阀 Lift check valve	BS 1868				

产品性能规范 Chief property and specification

公称压力 (Lb)	强度试验 Shell test		水密封试验 Water seal test		气密封试验 Air seal test	
	Mpa	Lbf/in ²	Mpa	Lbf/in ²	Mpa	Lbf/in ²
150	3.1	450	2.2	315	0.5~0.7	60~100
300	7.8	1125	5.6	815		
600	15.3	2225	11.2	1630		
900	23.1	3350	16.8	2440		

材料列表 Material list

体、盖、瓣、摇杆、导向套 Body cover disk hingeside way bush	阀杆 Stem	垫片 Sealing shim	密封面 Sealing face	工作温度 (°C) Working temperature	适用介质 Suitable medium
WCB	2Cr13	增强柔性石墨 13Cr/柔性石墨 不锈钢/耐酸石棉 PTFE 齿型垫片 Enhanced flexible graphite 1Cr13/Flexible graphite S.S./Acie-proof asbestos tooth profile gashker	13Cr STL 本体材料 With body material PTFE 尼龙 Nylon	≤425	水、蒸汽、油品 water steam petroleum products
WC1				≤450	
WC6				≤540	
WC9				≤570	
C5 C12				≤550	
CF8	304			≤200	硝酸、醋酸、 强氧化介质、尿素 petroleum products Nitric acid acetic acid
CF3	316				
CF8M	304L				
CF3M	316L				



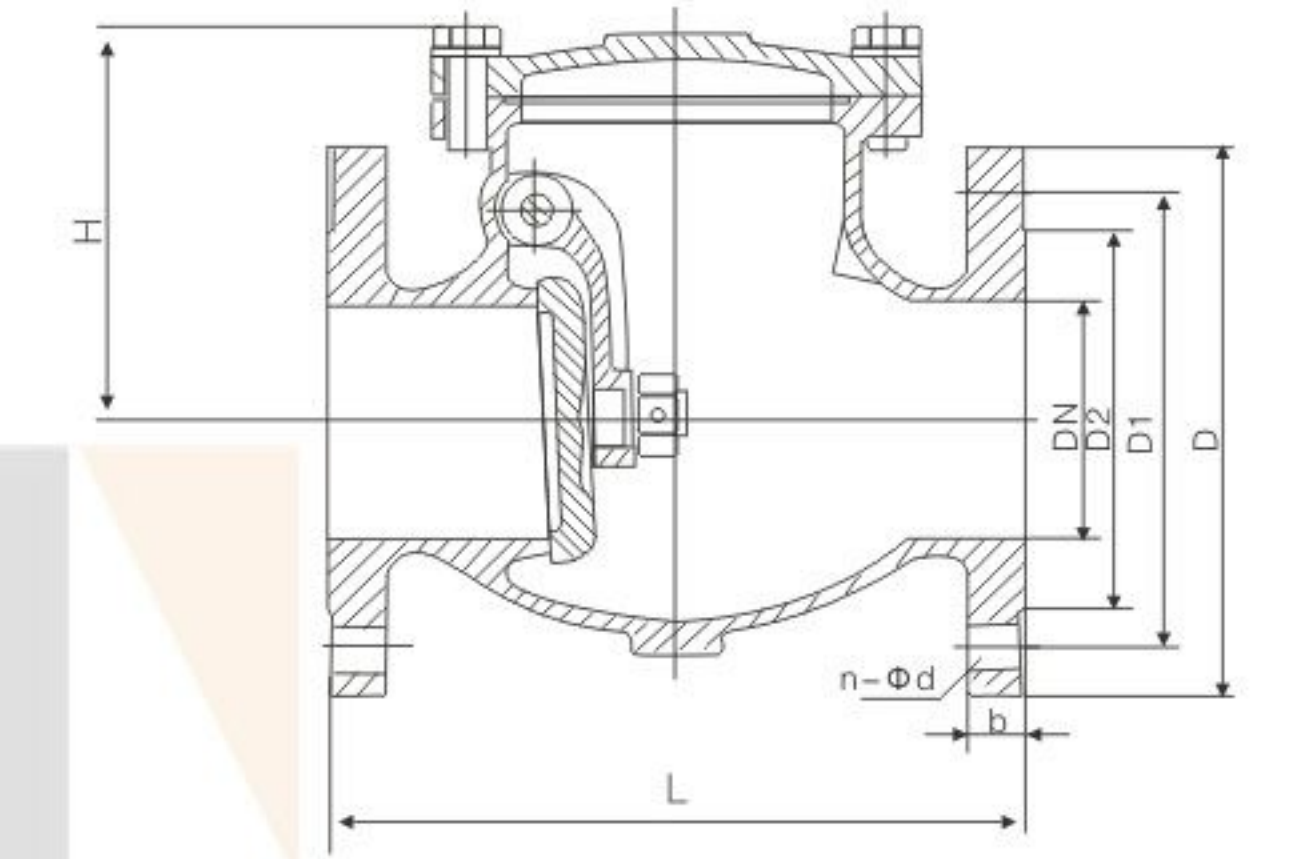
主要尺寸 Main Dimension

DN				150Lb	150LbP	150LbR			
mm	in	L	D	D1	D2	b	f	n-φd	H
50	2"	178	152	120.7	92.1	16.3	2	4-19	161
65	2-1/2"	190	180	139.7	104.8	17.9	2	4-19	180
80	3"	203	190	152.4	127	19.5	2	4-19	190
100	4"	229	230	190.5	157.2	24.3	2	8-19	203
125	5"	256	255	215.9	185.7	24.3	2	8-22	229
150	6"	394	280	241.3	215.9	25.9	2	8-22	257
200	8"	457	345	298.5	269.9	29	2	8-22	292
250	10"	533	405	362	323.8	30.6	2	12-26	355
300	12"	610	485	431.8	381	32.2	2	12-26	396
350	14"	686	535	476.3	412.8	35.4	2	12-29	445
400	16"	762	595	539.8	469.9	37	2	16-29	490
450	18"	864	635	577.9	533.4	40.1	2	16-32	520
500	20"	914	700	635	584.2	43.3	2	20-32	546
600	24"	1067	815	749.3	692.2	48.1	2	20-35	880

主要尺寸 Main Dimension

DN		300Lb			300LbP		300LbR		
mm	in	L	D	D1	D2	b	f	n-φd	H
50	2"	267	165	127	92.1	22.7	2	8-19	178
65	2-1/2"	292	190	149.2	104.8	25.9	2	8-22	190
80	3"	318	210	168.3	127	29	2	8-22	216
100	4"	356	255	200	157.2	32.2	2	8-22	241
125	5"	400	280	235	185.7	35.4	2	8-22	267
150	6"	444	320	269.9	215.9	37	2	12-22	305
200	8"	533	380	330.2	269.9	41.7	2	12-26	368
250	10"	622	445	387.4	323.8	48.1	2	16-29	394
300	12"	711	520	450.8	381	51.3	2	16-32	445
350	14"	838	585	514.4	412.8	54.4	2	20-32	470
400	16"	864	650	571.5	469.9	57.6	2	20-35	533
450	18"	978	710	628.6	533.4	60.8	2	24-35	584
500	20"	1016	775	685.8	584.2	64	2	24-35	610
600	24"	1346	915	812.8	692.2	70.3	2	24-41	860

DN		600Lb			600LbP		600LbR		
mm	in	L	D	D1	D2	b	f	n-φd	H
50	2"	292	165	127	92.1	32.4	7	8-19	203
65	2-1/2"	330	190	149.2	104.8	35.6	7	8-22	229
80	3"	356	210	168.3	127	38.8	7	8-22	235
100	4"	432	275	215.9	157.2	45.1	7	8-25.5	286
125	5"	508	330	266.7	185.7	51.5	7	8-29	292
150	6"	559	355	292.1	215.9	54.7	7	12-29	330
200	8"	660	420	349.2	269.9	62.6	7	12-32	381
250	10"	787	510	431.8	323.8	70.5	7	16-35	457
300	12"	838	560	489	381	73.7	7	20-35	581
350	14"	889	605	527	412.8	76.9	7	20-38	635
400	16"	991	685	603.2	469.9	83.2	7	20-41	684
450	18"	1092	745	654	533.4	89.6	7	20-45	752
500	20"	1194	815	723.9	584.2	95.9	7	24-45	975
600	24"	1397	940	838.2	692.2	108.6	7	24-51	1111



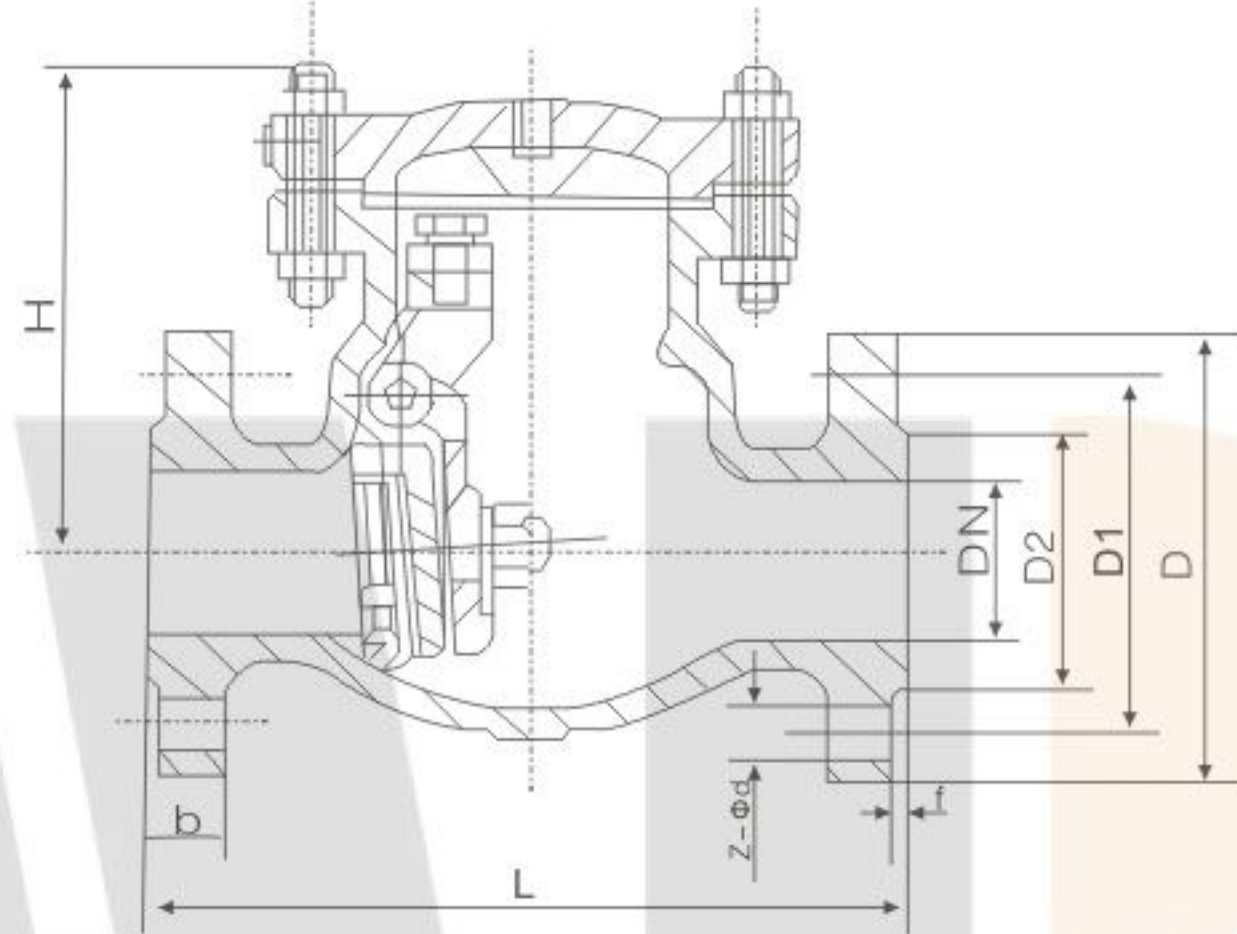
产品执行标准 Technical standard

设计与制造 Desubg abd manufacture	结构长度 Face to face end to end	法兰尺寸 Flange dimension	压力-温度 Pressure temperature lating	试验-检验 Inspection and test
JIS B2074 B2084	JIS B2002	JIS B2212 B2214	JIS B2074 B2084	JIS B2003

主要尺寸 Main Dimension

DN		H44W-10K, H44H-10K					
mm	in	L	D	D1	D2	b	n-φd
40	1 1/2"	165	140	105	85	16	4-19
50	2"	203	155	120	100	16	4-19
65	2-1/2"	216	175	140	120	18	4-19
80	3"	241	185	150	130	18	8-19
100	4"	292	210	175	155	18	8-19
125	5"	330	250	210	185	20	8-23
150	6"	356	280	240	215	22	8-23
200	8"	495	330	290	265	22	12-23
250	10"	622	400	355	325	24	12-25
300	12"	698	445	400	390	24	16-25
350	14"	787	490	445	415	26	16-25
400	16"	864	560	510	475	28	16-27
450	18"	978	620	565	530	30	20-27

DN		H44W-20K, H44H-20K					
mm	in	L	D	D1	D2	b	n-φd
50	2"	267	155	120	100	18	8-19
65	2-1/2"	292	175	140	120	20	8-19
80	3"	318	200	160	135	220	8-23
100	4"	292	225	185	160	24	8-23
150	6"	356	305	260	230	28	12-25
200	8"	495	350	305	275	30	12-25
250	10"	622	430	380	345	34	12-27
300	12"	698	480	430	395	35	16-27
350	14"	787	540	480	440	40	16-33
400	16"	864	605	540	495	46	16-33
450	18"	978	675	605	560	48	20-33



主要尺寸 Main Dimension

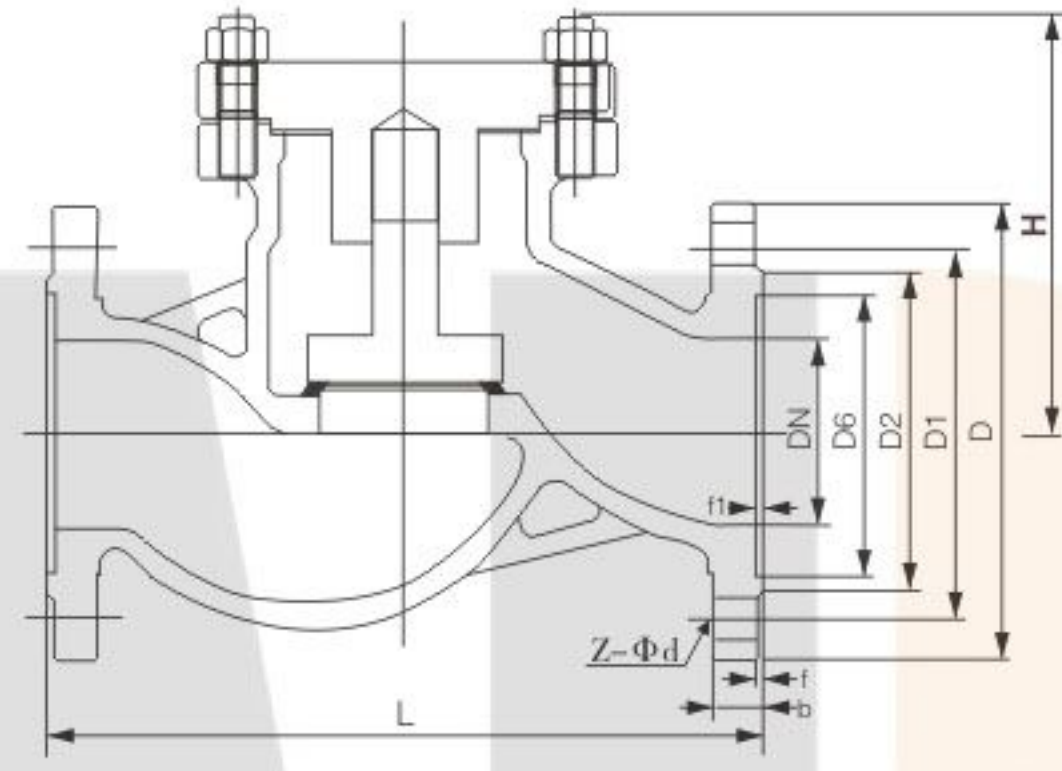
公称通径 DN	主要外形和连接尺寸 Main external and connection dimension							WT (kg)
	L	D	D1	D2	b	Z-φd	H	
H44H-16C H44W-16C H44W-16P H44W-16R H44W-16I								
50	230	160	125	100	16	4-18	135	21
65	290	180	145	120	18	4-18	142	28
80	310	195	160	135	20	8-18	165	38
100	350	215	180	155	20	8-18	180	58
125	400	245	210	185	22	8-18	210	92
150	480	280	240	210	24	8-23	233	130
200	500	335	295	265	26	12-23	304	210
250	550	405	355	320	30	12-25	348	294
300	650	460	410	375	30	12-25	390	367
350	750	520	470	435	34	16-25	430	410
400	850	580	525	485	36	16-30	468	461
450	950	640	585	545	40	20-30	523	570
500	1025	705	650	608	44	20-34	525	850
H44H-25C H44W-25C H44W-25P H44W-25R H44W-25I								
50	230	160	125	100	20	4-18	160	22
65	290	180	145	120	22	8-18	175	29
80	310	195	160	135	22	8-18	185	38
100	350	230	190	160	24	8-23	220	61
125	400	270	220	188	28	8-25	248	96
150	480	300	250	218	30	8-25	276	132
200	550	360	310	278	34	12-25	350	213
250	650	425	370	332	36	12-30	410	297
300	750	485	430	390	40	16-30	430	372
350	850	550	490	448	44	16-34	518	415
400	950	610	550	505	48	16-34	560	480
450	1025	660	600	555	50	20-34	582	610
500	1150	730	660	610	52	20-41	618	920

主要尺寸 Main Dimension

公称通径 DN	主要外形和连接尺寸 Main external and connection dimension										WT (kg)
	L	D	D1	D2	D6	b	f	f2	Z-d	H	
H44H-40 H44W-40 H44W-40P H44W-40R H44W-40I											
50	230	160	125	100	88	20	3	4	4-18	169	22
65	290	180	145	120	110	22	3	4	8-18	173	29
80	310	195	160	135	121	22	3	4	8-18	185	38
100	350	230	190	160	150	24	3	4.5	8-23	220	61
125	400	270	220	188	176	28	3	4.5	8-25	248	96
150	480	300	250	218	204	30	3	4.5	8-25	270	132
200	550	375	320	282	260	38	3	4.5	12-30	342	213
250	650	445	385	345	313	42	3	4.5	12-34	401	297
300	750	510	450	408	364	46	4	4.5	16-34	423	372
350	850	570	510	465	422	52	4	5	16-34	455	415
400	950	665	585	535	474	58	4	5	16-41	510	480

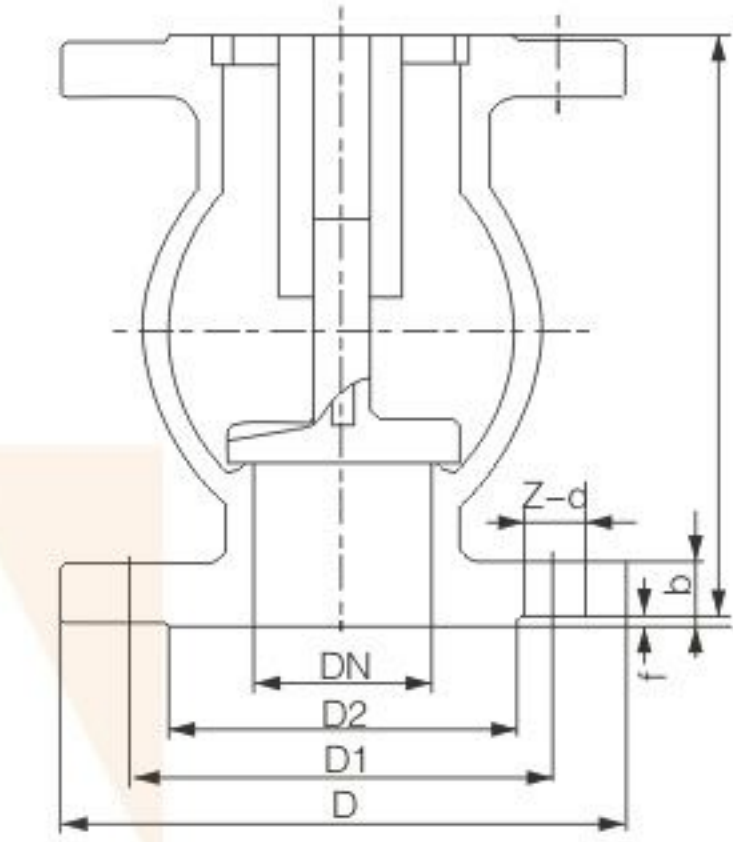
H44H-64 H44W-64 H44W-64P H44W-64R H44W-64I

50	300	175	135	105	88	26	3	4	4-23	177	27
65	340	200	160	130	110	28	3	4	8-23	197	37
80	380	210	170	140	121	30	3	4	8-23	212	57
100	430	250	200	168	150	32	3	4.5	8-25	248	89
125	500	295	240	202	176	36	3	4.5	8-30	296	135
150	550	340	280	240	204	38	3	4.5	8-34	330	184
200	650	405	345	300	260	44	33	4.5	12-34	385	266
250	775	470	400	352	313	48	3	4.5	12-41	445	396
300	900	530	460	412	364	54	4	4.5	16-41	474	643
350	1025	595	525	475	422	60	4	5	16-41	514	815
400	1150	670	585	525	474	66	4	5	16-48	616	1234



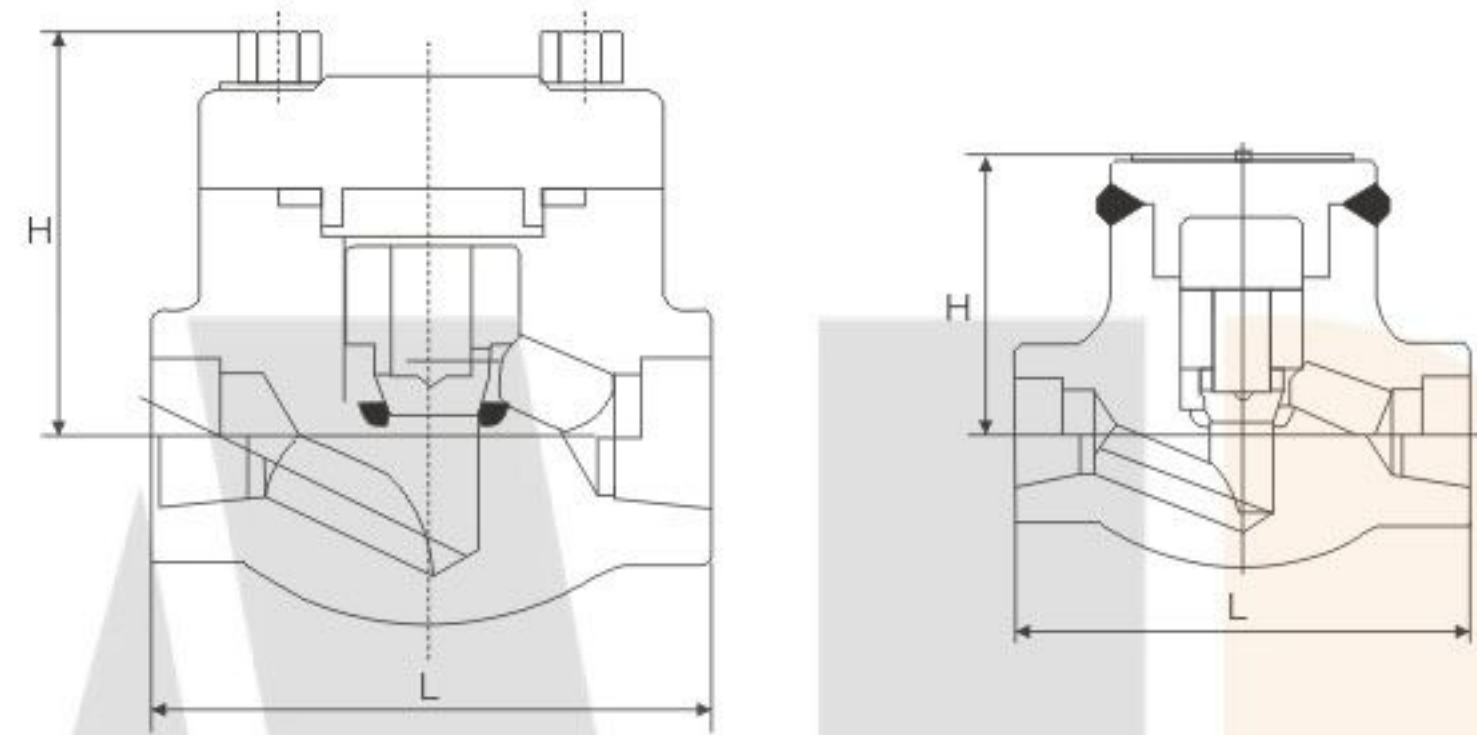
主要尺寸 Main Dimension

型号 Type	公称口径 PN(mm)	尺寸 Dimensions (mm)								
		L	D	D1	D2	D6	b-f	f1	z-Φd	H
H H41W-40 Y	15	130	95	65	45	40	16-2	4	4-Φ14	90
	20	150	105	75	55	51	16-2	4	4-Φ14	105
	25	160	115	85	65	58	16-2	4	4-Φ14	115
	32	180	135	100	78	66	18-2	4	4-Φ18	120
	40	200	145	110	85	76	18-3	4	4-Φ1/8	130
	50	230	160	125	100	88	20-3	4	4-Φ18	140
	65	290	180	145	125	110	22-3	4	8-Φ18	150
	80	310	195	160	135	121	22-3	4	8-Φ18	170
	100	350	230	190	160	150	24-3	4.5	8-Φ23	185
	125	400	270	220	188	176	28-3	4.5	8-Φ25	195
	150	480	300	250	218	204	30-3	4.5	8-Φ25	225
	200	600	375	320	282	260	38-3	4.5	12-Φ30	250
	250	650	445	385	345	313	42-3	4.5	12-Φ34	270
300	750	510	450	408	364	46-3	4.5	16-Φ34	300	
H H41W-64 Y	15	170	105	75	55	40	18-2	4	4-Φ14	110
	20	190	125	90	68	51	20-2	4	4-Φ18	125
	25	210	135	100	78	58	22-2	4	4-Φ18	152
	32	230	150	110	82	66	24-2	4	4-Φ23	168
	40	260	165	125	95	76	24-3	4	4-Φ23	170
	50	300	175	135	105	88	26-3	4	4-Φ23	188
	65	340	200	160	130	110	28-3	4	8-Φ23	205
	80	380	210	170	140	121	30-3	4	8-Φ23	230
	100	430	250	200	168	150	32-3	4.5	8-Φ25	380
	125	500	295	240	202	176	36-3	4.5	8-Φ30	300
	150	550	340	280	240	204	28-3	4.5	8-Φ34	350
	200	650	405	345	300	260	44-3	4.5	12-Φ34	400



主要尺寸 Main Dimension

型号 Type	公称口径 Nominal Diameter PN(mm)	尺寸 Dimensions (mm)					
		L	D	D1	D2	b-f	z-Φd
H H42W-16C Y	15	85	95	65	45	14-2	4-Φ14
	20	95	105	75	55	14-2	4-Φ14
	25	105	115	85	65	14-2	4-Φ14
	32	150	135	100	78	16-2	4-Φ18
	40	160	145	110	85	16-3	4-Φ18
	50	170	160	125	100	16-3	4-Φ18
	65	180	180	145	120	18-3	4-Φ18
	80	200	195	160	135	20-3	8-Φ18
	100	210	215	180	155	20-3	8-Φ18
	125	275	245	210	185	22-3	8-Φ18
	150	300	280	240	210	24-3	8-Φ23
	200	380	335	295	265	26-3	12-Φ29
	250	430	405	355	320	30-3	12-Φ25
H H42W-25 Y	15	85	95	65	45	16-2	4-Φ14
	20	95	105	75	55	16-2	4-Φ14
	25	105	115	85	65	16-2	4-Φ14
	32	150	135	100	78	18-2	4-Φ18
	40	160	145	110	85	18-3	4-Φ18
	50	170	160	125	100	20-3	4-Φ18
	65	180	180	145	120	22-3	8-Φ18
	80	200	195	160	135	22-3	8-Φ18
	100	210	230	190	160	24-3	8-Φ23
	125	275	270	220	188	28-3	8-Φ25
	150	300	300	250	218	30-3	8-Φ25
	200	380	350	310	278	34-3	12-Φ25
	250	430	425	370	335	36-3	12-Φ30

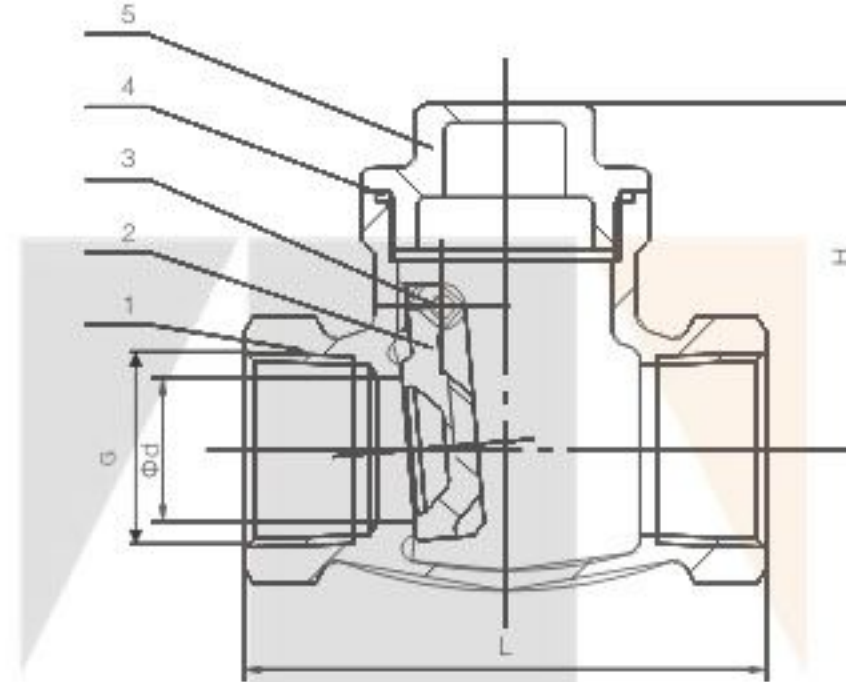


材料列表 Material list

序号NO.	名称 Part Name	美标碳钢	美标合金钢	美标不锈钢	
		Type A 105	Type F22	Type F304(L)	Type F316(L)
1	阀体 Body	A105	A182 F22	A182 F304(L)	A182 F316(L)
2	阀瓣 Piston Disc	A276 410	A276 304	A276 F304(L)	A276 F316(L)
3	垫片 Gasket	Corrugated SS+graphite		SS+PTFE	
4	阀盖 Bonnet	A105	A182 F22	A182 F304(L)	A182 F316(L)
5	铭牌 Nameplate				
6	螺栓 Bolts	A193 B7	A193 B16	A193 B8M	A193 B8M
7	摇杆 Hinge	A182 F304	A182 F304	A182 F304	A182 F304
适用介质 Suitable Medium		(水、油、气等)W.O.G.etc		(酸类)Nitric Acid etc	
适用温度 Suitable Temperature		-29°C ~ 425°C		-29°C ~ 550°C	
注: 可按要求采用其他材料		Note: Other materials are available upon request.			
CS=碳钢 AS=合金钢 SS=不锈钢		CS=Carbon Steel; AS=Alloy Steel; SS=Stainless Steel			

主要尺寸 Main Dimensions:

通径	缩径RB	3/8"	1/2"	3/4"	1"	1 1/4"	1 1/2"	2"		
NPS	全径FB		3/8"	1/2"	3/4"	1"	1 1/4"	1 1/2"	2"	
L	150 ~ 800Lb	79	79	92	111	120	152	172	200	
	900 ~ 1500Lb	111	111	111	130	152	172	220	220	
H(OPEN)	150 ~ 800Lb	61	61	65	79	95	103	118	132	
	900 ~ 1500Lb	65	79	79	97	104	120	139	215	
Weights	Bolted	150 ~ 800Lb	1.4	1.2	1.5	3.1	3.9	5.6	8.9	12.5
		900 ~ 1500Lb	1.6	3.4	3.3	5.5	6	9.2	12.9	16.2
	Welded	150 ~ 800Lb	1.1	1	1.2	2.9	3.3	4.9	8.1	10.9
		900 ~ 1500Lb	1.3	3.2	3.1	4.8	5.4	8.5	11.2	



特点

全口径流量
产品规格从1/2"到2"
工作压力: 200PSI/600PSI
内螺纹端可按BSPT、NPT/DIN2999制造

Feature

Full bore
Size: 1/2" to 2"
Working pressure: 200PSI/600PSI
Female threaded end: BSPT, NPT, DIN2999

材料列表 Material list

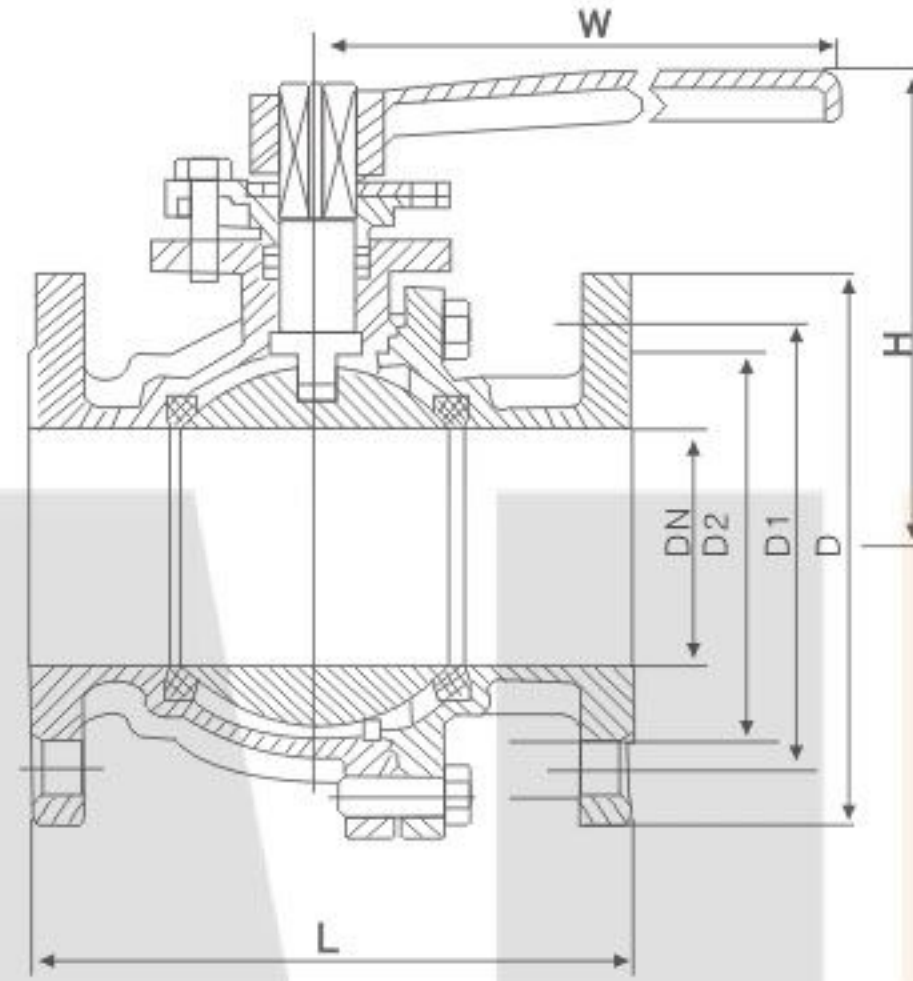
NO	部件名称 Part name	材料 Material
1	阀体 Body	CF8M
2	阀瓣 Disc	CF8M
3	销轴 Pin	Ss304
4	密封圈 Seal ring	PTFE
5	阀盖 Cap	CF8

产品性能规范 Chief property and specification

公称压力PN(MPa)	试验压力MPa		适用介质	适用温度
	壳体	密封		
1.6	2.4	1.6	水、蒸气、油品(C)	≤425°C
2.5	3.75	2.5	硝酸(P)	
4	6	4	醋酸(R)	

主要尺寸 Main Dimension

NPS	d	L	H
1/4"	6	58	36
3/8"	10	58	36
1/2"	15	66	40
3/4"	20	80	54
1"	25	90	59
1-1/4"	32	105	62.5
1-1/2"	40	120	73
2"	50	140	85



产品执行标准 Technical standard

产品规范 Product specification	设计规范 Design spec	结构长度 Face to face	连接法兰 Flange end	试验-检验 Test & check	产品标识 Marking	供货规范 Supply
	GB/T 12237 JB/T 7745	GB/T 12221 JB/T 7745	JB/T 79	JB/T 9092	GB/T 12220	JB/T 7928
	API 608 API 6D	ANSI B16.10 API 6D	ANSI B16.5	API 598 API 16D	MSS SP-25 API 6D	API 608 API 6D

产品性能规范 Chief property and specification

公称压力 (Lb)	强度试验 Shell test		水密封试验 Water seal test		气密封试验 Air seal test	
	Mpa	Lbf/in ²	Mpa	Lbf/in ²	Mpa	Lbf/in ²
150	3.1	450	2.2	315	0.5~0.7	60~100
300	7.8	1125	5.6	815		
600	15.3	2225	11.2	1630		
900	23.1	3350	16.8	2440		

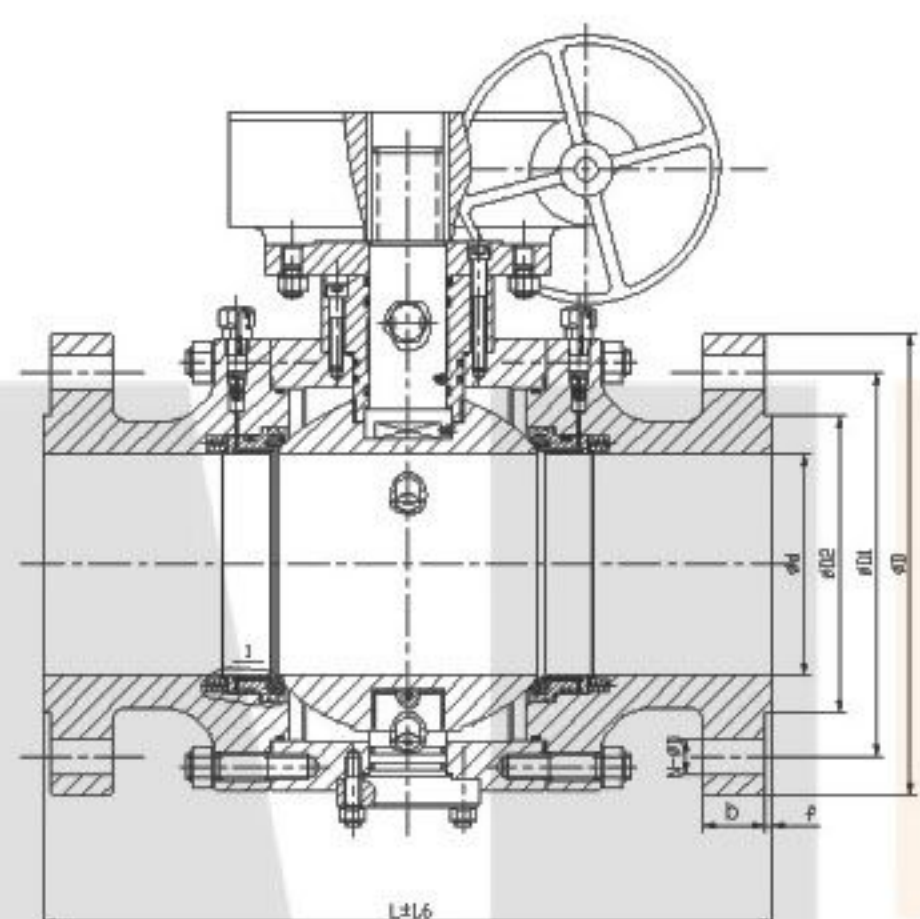
材料列表 Material list

名称 parts	ACB类	Cf8类	Cf3类	CF8M类	CF3M类	
阀体左体 body & body cap	A216-WCB	A315-CF8	A35-CF3	A351-CF8M	A351-CF3M	
球阀 ball	B2-B8	A105-1025	A182-F304L	A182-F304L	A132-F316	A182-F316L
	B8以上	A216-WCB	A351-CF8M	A351-CF3	A351-CF8M	A351-CF3M
阀杆 stem	A182-F6a	A182-F304	A182-F304L	A182-F336	A182-F316L	
阀座 seat	PTFE/增强PTFE/NYLIN PTFE/Reinforced PTFE/Nylon					
阀座支承圈 seat retainer	A105-1025	A182-F304	A182-F304L	A182-F316	A182-F316L	
弹簧 spring	3yc-7/17-49H					
O形圈 O-ring	NBR	氟橡胶 viton				
螺柱 stud	A193-B7	A193-B8				
螺母 nut	A194-2H	A194-8				

主要尺寸 Main Dimension

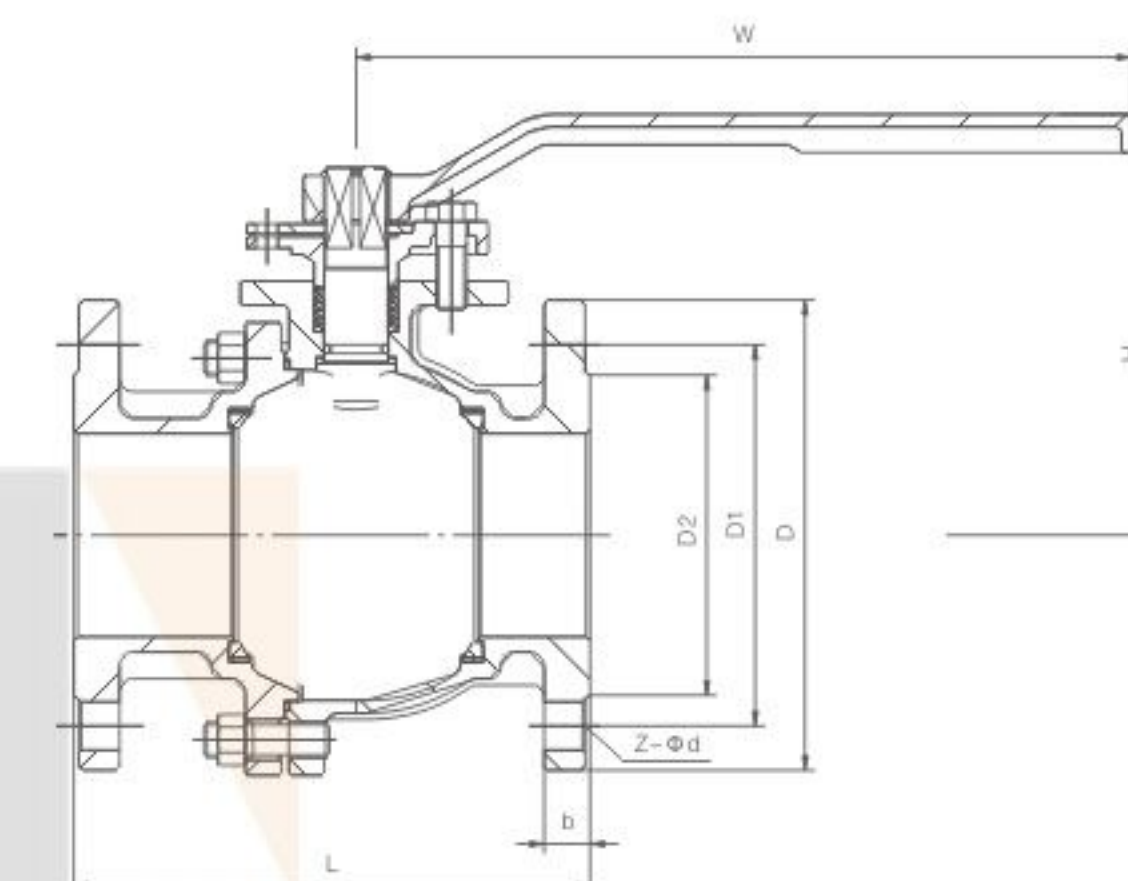
DN		150Lb			150LbP		150LbR			
mm	in	L	D	D1	D2	b	f	n-φd	H	W0
15	1/2"	108	90	60.3	34.9	10	2	4-16	59	130
20	3/4"	117	100	69.9	42.9	10.9	2	4-16	63	130
25	1"	127	110	79.4	50.8	11.6	2	4-16	75	160
32	1-1/4"	140	115	88.9	63.5	13.2	2	4-16	75	160
40	1-1/2"	165	125	98.4	73	14.7	2	4-16	95	230
50	2"	178	152	120.7	92.1	16.3	2	4-19	107	230
65	2-1/2"	190	180	139.7	104.8	17.9	2	4-19	142	400
80	3"	203	190	152.4	127	19.5	2	4-19	152	400
100	4"	229	230	190.5	157.2	24.3	2	8-19	178	700
125	5"	256	255	215.9	185.7	24.3	2	8-22	252	1100
150	6"	394	280	241.3	215.9	25.9	2	8-22	272	1100
200	8"	457	345	298.5	269.9	29	2	8-22	342	1500
250	10"	533	405	362	323.8	30.6	2	12-26	495	5#
300	12"	610	485	431.8	381	32.2	2	12-26	580	6#
350	14"	686	535	476.3	412.8	35.4	2	12-29	625	8#
400	16"	762	595	539.8	469.9	37	2	16-29	720	+
450	18"	864	635	577.9	533.4	40.1	2	16-32	800	+
500	20"	914	700	635	584.2	43.3	2	20-32	840	+
600	24"	1067	815	749.3	692.2	48.1	2	20-35	1050	+

DN		300Lb			300LbP		300LbR			
mm	in	L	D	D1	D2	b	f	n-φd	H	W0
15	1/2"	140	95	66.7	34.9	14.7	2	4-16	59	130
20	3/4"	152	115	82.6	42.9	16.3	2	4-19	63	130
25	1"	165	125	88.9	50.8	17.9	2	4-19	75	160
32	1-1/4"	178	135	98.4	63.5	19.5	2	4-19	75	160
40	1-1/2"	190	155	114.3	73	21.1	2	4-22	95	230
50	2"	216	165	127	92.1	22.7	2	8-19	107	230
65	2-1/2"	241	190	149.2	104.8	25.9	2	8-22	142	400
80	3"	282	210	168.3	127	29	2	8-22	152	400
100	4"	305	255	200	157.2	32.2	2	8-22	178	700
125	5"	381	280	235	185.7	35.4	2	8-22	252	1100
150	6"	403	320	269.9	215.9	37	2	12-22	272	1100
200	8"	502	380	330.2	269.9	41.7	2	12-25	342	1500
250	10"	568	445	387.4	323.8	48.1	2	16-29	495	5#
300	12"	648	520	450.8	381	51.3	2	16-32	580	6#
350	14"	762	585	514.4	412.8	54.4	2	20-32	625	8#
400	16"	838	650	571.5	469.9	57.6	2	20-35	720	+
450	18"	914	710	628.6	533.4	60.8	2	24-35	800	+
500	20"	991	775	685.8	584.2	64	2	24-35	840	+
600	24"	1143	915	812.8	692.2	70.3	2	24-41	1050	+



主要尺寸 Main Dimension

DN		600LB 600LP 600LR								
mm	in	L	D	D1	D2	b	f	n-φd	H	W0
15	1/2"	165	95	66.7	34.9	21.3	7	4-16	59	160
20	3/4"	190	115	82.6	42.9	22.9	7	4-19	63	160
25	1"	216	125	88.9	50.8	24.5	7	4-19	75	230
32	1-1/4"	229	135	98.4	63.5	27.7	7	4-19	90	300
40	1-1/2"	241	155	114.3	73	29.3	7	4-22	95	400
50	2"	292	165	127	92.1	32.4	7	8-19	107	700
65	2-1/2"	330	190	149.2	104.8	35.6	7	8-22	150	700
80	3"	356	210	168.3	127	38.8	7	8-22	169	750
100	4"	432	275	215.9	157.2	45.1	7	8-26	178	1100
125	5"	508	330	266.7	185.7	51.5	7	8-29	245	4#
150	6"	559	355	292.1	215.9	54.7	7	12-29	300	5#
200	8"	660	420	349.2	269.9	62.6	7	12-32	374	5#
250	10"	787	510	431.8	323.8	70.5	7	16-35	445	6#
300	12"	838	560	489	381	73.7	7	20-35	515	+
350	14"	889	605	527	412.8	76.9	7	20-38	550	+
400	16"	991	685	603.2	469.9	83.2	7	20-41	615	+
450	18"	1092	745	654	533.4	89.6	7	20-45	900	+
500	20"	1194	815	723.9	584.2	95.9	7	24-45	950	+
600	24"	1397	940	838.2	692.2	108.6	7	24-51	1200	+



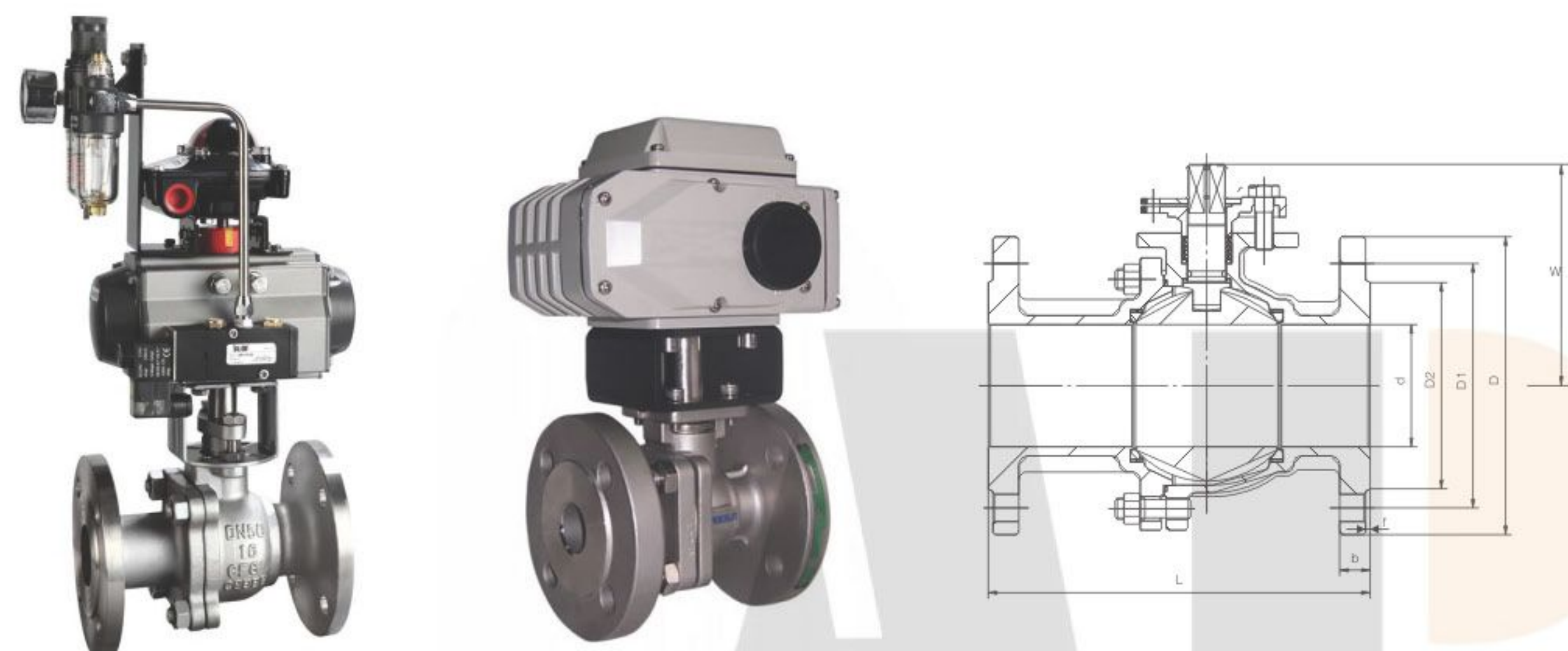
产品执行标准 Technical standard

设计与制造 Desubg abd manufacture	结构长度 Face to face end to end	法兰尺寸 Flange dimension	压力-温度 Pressure temperature lating	试验-检验 Inspection and test
BS 5351	JIS B2002	JIS B2212 B2214	JIS B2201	JIS B2003

主要尺寸 Main Dimension

DN		Q41F-10K						
mm	in	L	D	D1	D2	b	n-φd	
15	1/2"	108	95	70	52	12	4-15	
20	3/4"	117	100	75	58	14	4-15	
25	1"	127	125	90	70	14	4-19	
32	1-1/4"	140	135	100	80	16	4-19	
40	1-1/2"	165	140	105	85	16	4-19	
50	2"	178	155	120	100	16	4-19	
65	2-1/2"	190	175	140	120	18	4-19	
80	3"	203	185	150	130	18	8-19	
100	4"	229	210	175	155	18	8-19	
125	5"	356	250	210	185	20	8-23	
150	6"	394	280	240	215	22	8-23	
200	8"	457	330	290	265	22	12-23	
250	10"	533	400	355	325	24	12-25	

DN		Q41F-20K						
mm	in	L	D	D1	D2	b	n-φd	
15	1/2"	140	95	70	52	12	4-15	
20	3/4"	152	100	75	58	14	4-15	
25	1"	165	125	90	70	14	4-19	
40	1-1/2"	190	140	105	85	16	4-19	
50	2"	216	155	120	100	18	8-19	
65	2-1/2"	241	175	140	120	20	8-19	
80	3"	283	200	160	135	220	8-23	
100	4"	305	225	185	160	24	8-23	
125	5"	400	270	225	195	26	8-25	
150	6"	403	305	260	230	28	12-25	
200	8"	419	350	305	275	30	12-25	
250	10"	568	430	380	345	34	12-27	

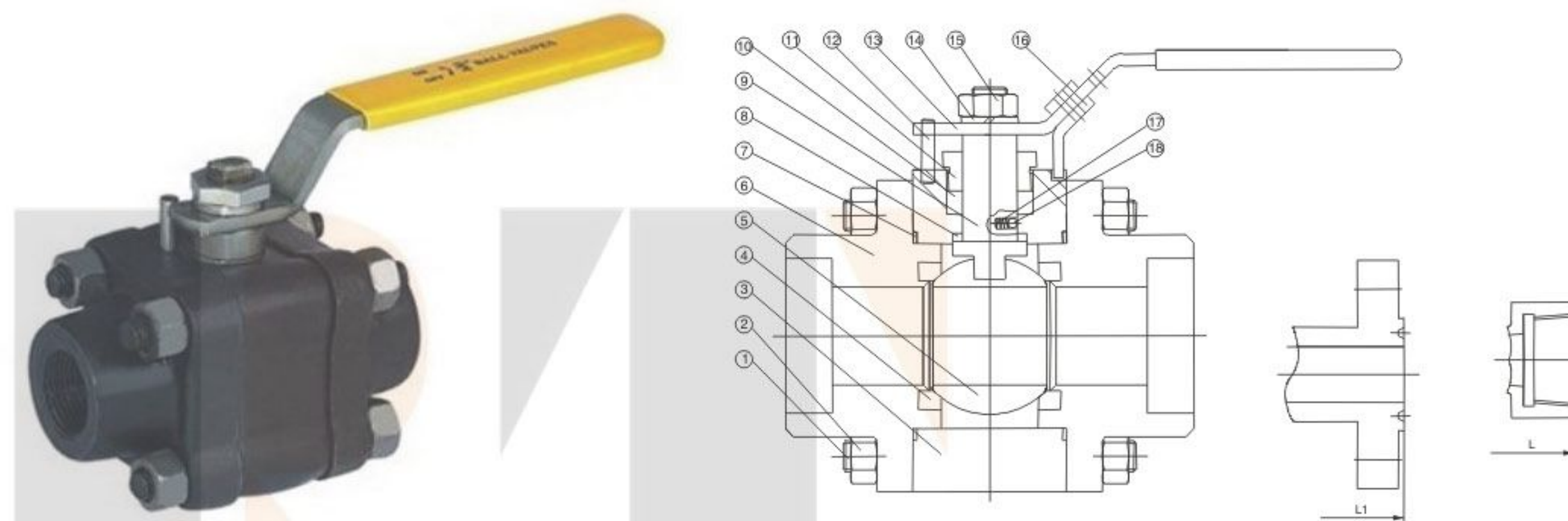


材料列表 Materiallist

NO	部件名称 Part name	材料 Material		
		WCB	CF8	CF8M
1	阀体 Body			
2	螺栓 Bolt	A193-B8	A193-B7	
3	阀座 Valve seat	PTFE		
4	球体 Ball			
5	阀杆 Stem	Cf8	CF8M	
6	阀盖垫圈 Bonnet gasket	PTFE		
7	阀杆密封 Stem seal	PTFE		
8	V型阀杆填料 V-ring stem packing	PTFE		
9	手柄螺母 Handle nut	Ss304		
10	手柄 Handle	SS304		

主要尺寸 Main Dimension

size	PN	d	L	D	D1	D2	b	f	N	W	
1/2"	DN15	16/25/40	15	130	95	65	46.0	14/14	2.0	4	145
3/4"	DN20	16/25/40	20	130	105	75	56.0	14/16	2.0	4	145
1"	DN25	16/25/40	25	140	115	85	65.0	14/16	3.0	4	165
1-1/4"	DN32	16/25/40	32	165	135	100	76.0	16/18	3.0	44	165
1-1/2"	DN40	16/25/40	38	180	145	110	84.0	16/18	3.0	4	200
2"	DN50	16/25/40	50	203	160	125	99.0	16/20	3.0	4	200
2-1/2"	DN65	16/25/40	65	222	180	145	118.0	20/22	3.0	4/8	250
3"	DN80	16/25/40	76	241	195	160	132.0	20/24	3.0	8	250
4"	DN100	16/25/40	100	280	220/235	180/190	156.0	22/24	3.0	8	400
5"	DN125	16/25/40	125	325/321	250/270	210/220	184.0	22/26	3.0	8	600
6"	DN150	16/25/40	150	350/403	285/300	240/250	211.0	24/28	3.0	8	800
8"	DN200	16/25/40	200	400/502/502	340/360/375	295/310/320	268.0/278.0/285.0	24/30/34	3.0	12	-

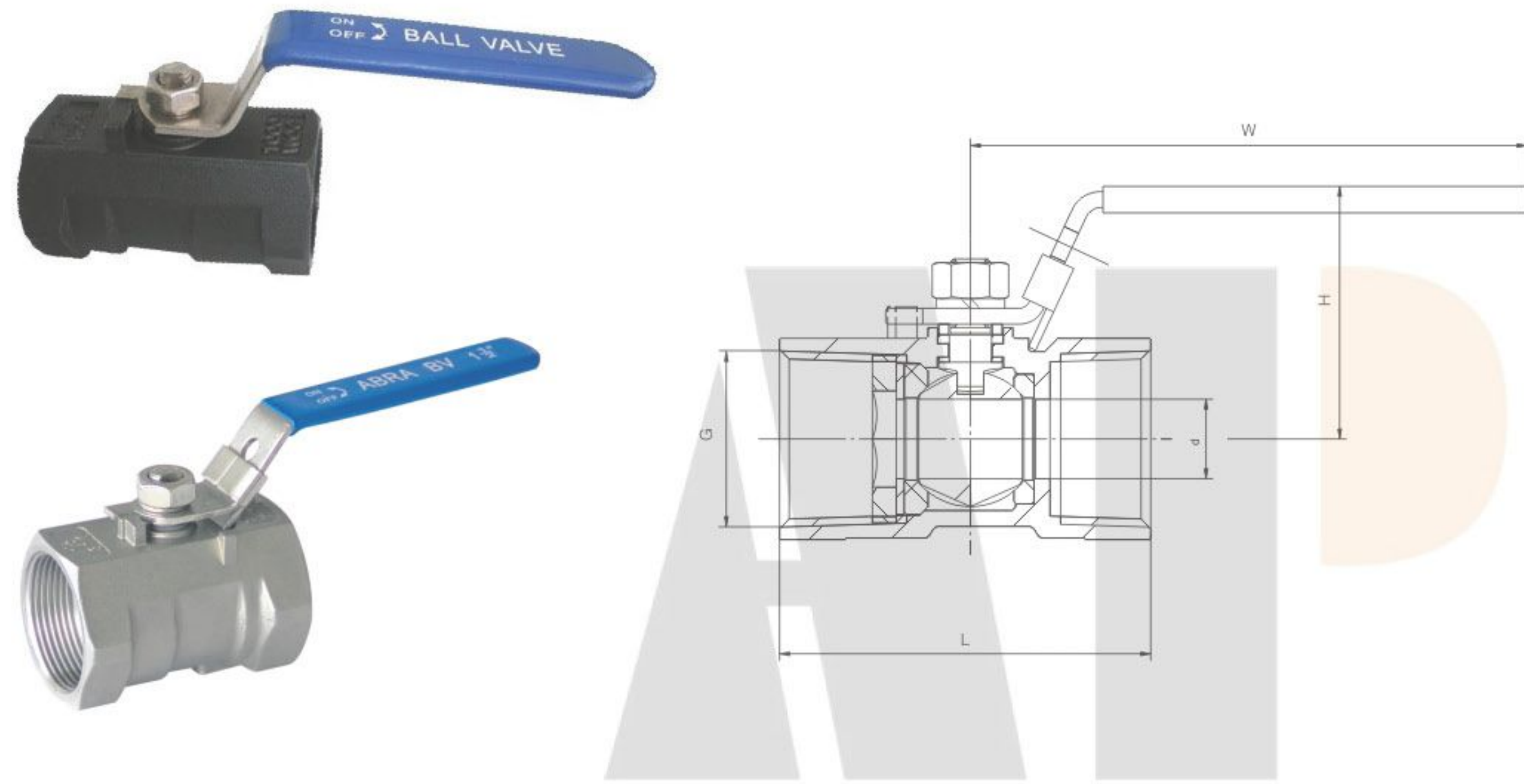


材料列表 Materiallist

序号	名称	材料
1	螺栓	35CrMoA
2	螺母	45
3	阀体	25
4	阀座	NYLON
5	球体	0Cr18Ni9
6	阀盖	25
7	垫片	PTFE
8	垫片	PTFE
9	阀杆	13Cr
10	填料	PTFE
11	填料压套	2Cr13
12	定位销	25
13	手柄	KTH 330
14	弹垫	65Mn
15	螺母	0Cr18Ni9
16	锁片	0Cr18Ni9
17	防静电弹簧	0Cr18Ni9
18	钢球	0Cr18Ni9

主要尺寸 Main Dimension

公称通径(mm)	800Lb			800LbP		800LbR		重量 (Kg)
	L	L1	d	D	H	W		
15	80	130	12.7	22.0	73.0	150	1.2	
20	95	130	19.0	27.4	78.0	170	2.1	
25	110	140	25.4	34.0	95.0	170	3.4	
40	140	165	38.0	48.8	115	250	5.8	
50	165	203	51.0	61.2	140	300	8.2	

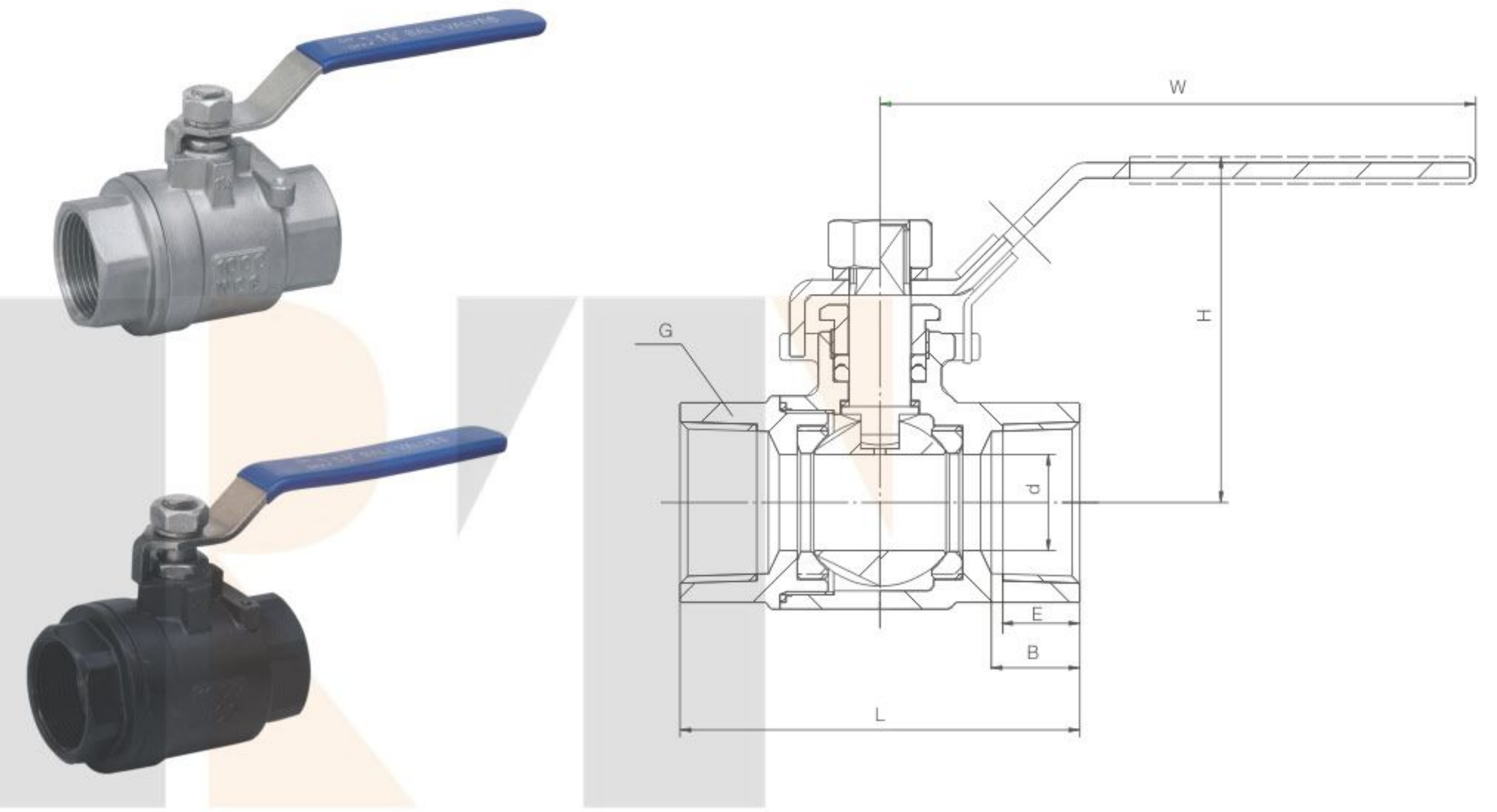


材料列表 Materiallist

NO	部件名称	Part name	材料 Material	
1	阀体	Body	WCB	CF8M
2	阀盖	Cap	WCB	CF8M
3	阀座	Seat	PTFE	
4	球	Ball	SS304	SS316
5	密封垫	Seal gasket	PTFE	
6	阀杆密封	Stem seal	PTFE	
7	阀杆	Stem	SS316	
8	阀杆填料	Stem packing	PTFE	
9	填料压盖	Packing gland	SS304	
10	弹性垫圈	Spring washer	SS304	
11	手柄	Handle	SS	

主要尺寸 Main Dimension

NPS	DN	d	L	H	W
1/4"	6	5	40	22	80
3/8"	10	7	45	26	80
1/2"	15	9	57	31	88
3/4"	20	12	60	34	88
1"	25	15	72	38	105
1-1/4"	32	20	79	43	105
1-1/2"	40	25	85	50	124
2"	50	32	101	57	124
2-1/2"	65	38	125	89	180
3"	80	50	150	102	190
4"	100	65	195	120	215

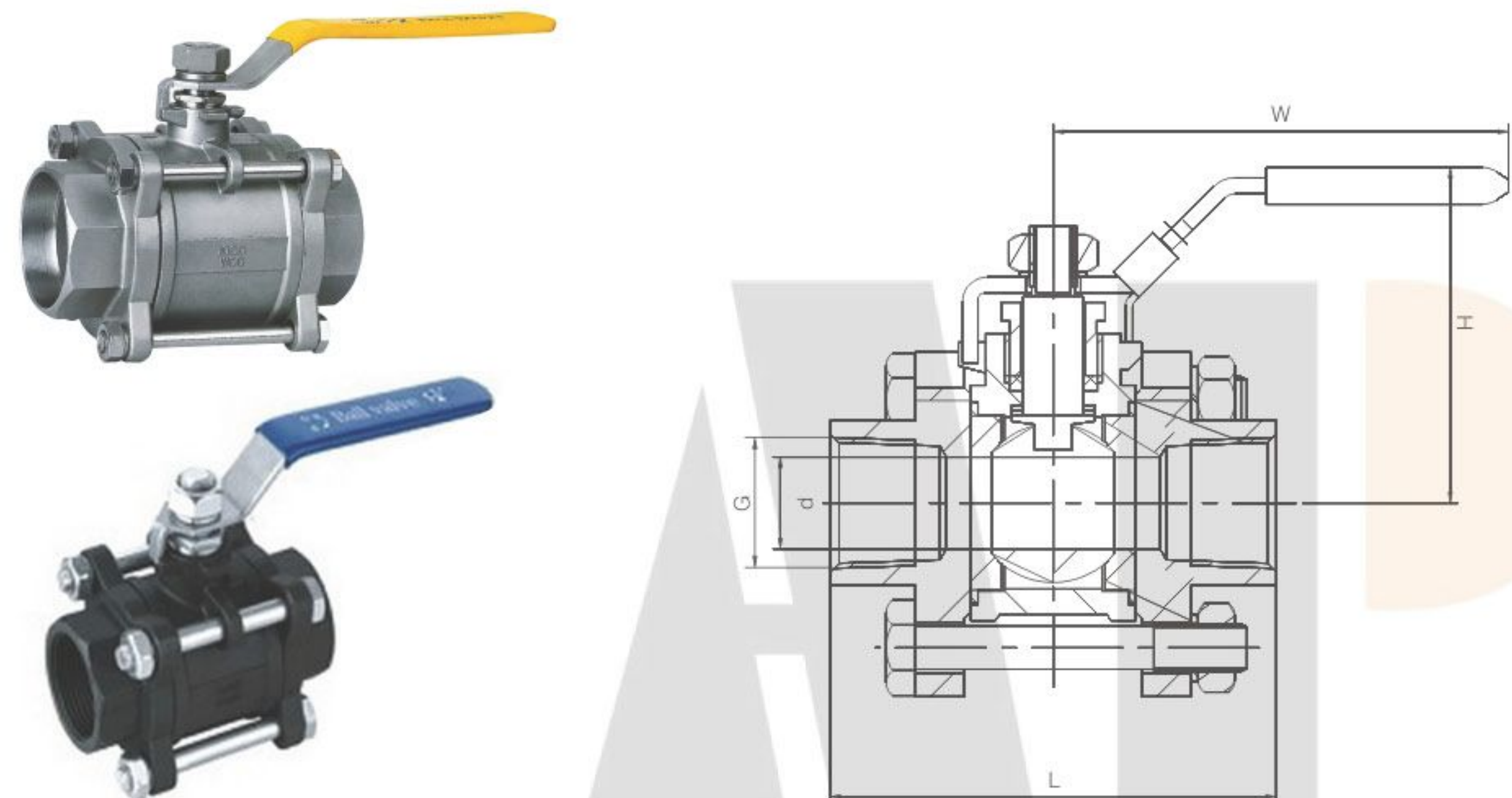


材料列表 Materiallist

NO	部件名称	Part name	材料 Material	
1	阀体	Body	CF8	CF8M
2	阀盖	Cap	CF8	CF8M
3	球	Ball	SS3040	SS316
4	阀座	Seat	PTFE	
5	阀杆	Stem	SS304	SS316
6	手柄	Handle	SS	
7	填料	Pcking	PTFE	
8	密封垫	Seal gasket	PTFE	
9	螺母	Nut	SS304	
10	把套	Handle cover	PLASTLC	
11	垫圈	Thrust washer	SS304	

主要尺寸 Main Dimension

NPS	DN	d	L	H	W
1/4"	6	10	55	42	95
3/8"	10	12	55	42	95
1/2"	15	15	62	51	108
3/4"	20	20	75	58	115
1"	25	25	85	77	135
1-1/4"	32	32	102	83	150
1-1/2"	40	38	108	97	175
2"	50	50	124	106	190
2-1/2"	65	65	163	122	220
3"	80	80	185	133	250
4"	100	100	225	162	320

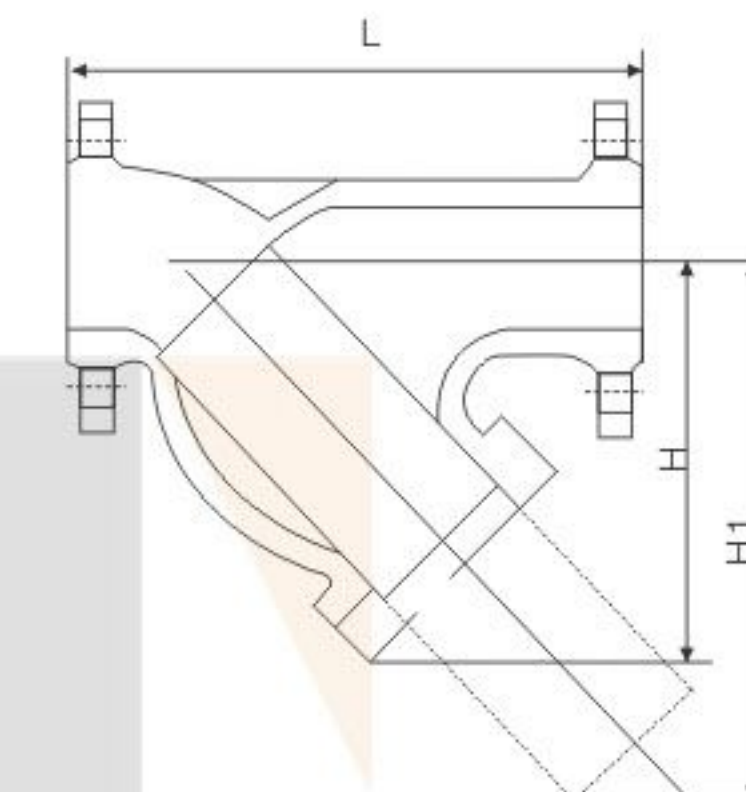


材料列表 Materialist

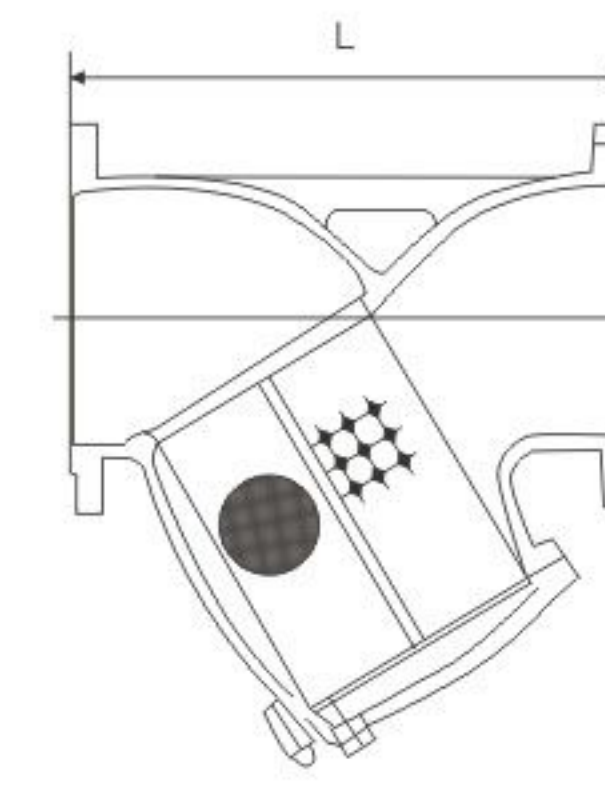
NO	部件名称	Part name	材料 Material
1	阀体	Body	CF8M
2	阀盖	Cap	CF8M
3	阀座	Seat	PTFE
4	球	Ball	SS316
5	密封垫	Seal gasket	PTFE
6	阀杆密封	Stem seal	PTFE
7	阀杆	Stem	SS316
8	防静电装置	Anti-static device	SS304
9	阀杆填料	Stem packing	PTFE
10	填料压盖	Packing gland	SS304
11	弹性垫圈	Spring washer	SS304
12	手柄	Handle	SS304
13	螺母	Stem nut	SS304

主要尺寸 Main Dimension

NPS	DN	d	L	H	W	4-d	B1	B2
1/4"	6	11.5	65	46	95	7	12	15
3/8"	10	12	65	46	95	7	14	17.2
1/2"	15	15	75	46	110	8	18	21.3
3/4"	20	20	85	54	110	8.5	25	26.9
1"	25	25	90	64	140	8.5	32	33.7
1-1/4"	32	32	112	69	140	10	38	42.4
1-1/2"	40	38	120	76	155	10	45	48.3
2"	50	50	145	86	180	11	57	60.3
2-1/2"	65	65	170	120	220	16	76	76.1
3"	80	80	200	150	260	18	89	88.9
4"	100	100	263	170	350	20	108	114.3



法兰连接Y型过滤器



法兰连接美标Y型过滤器

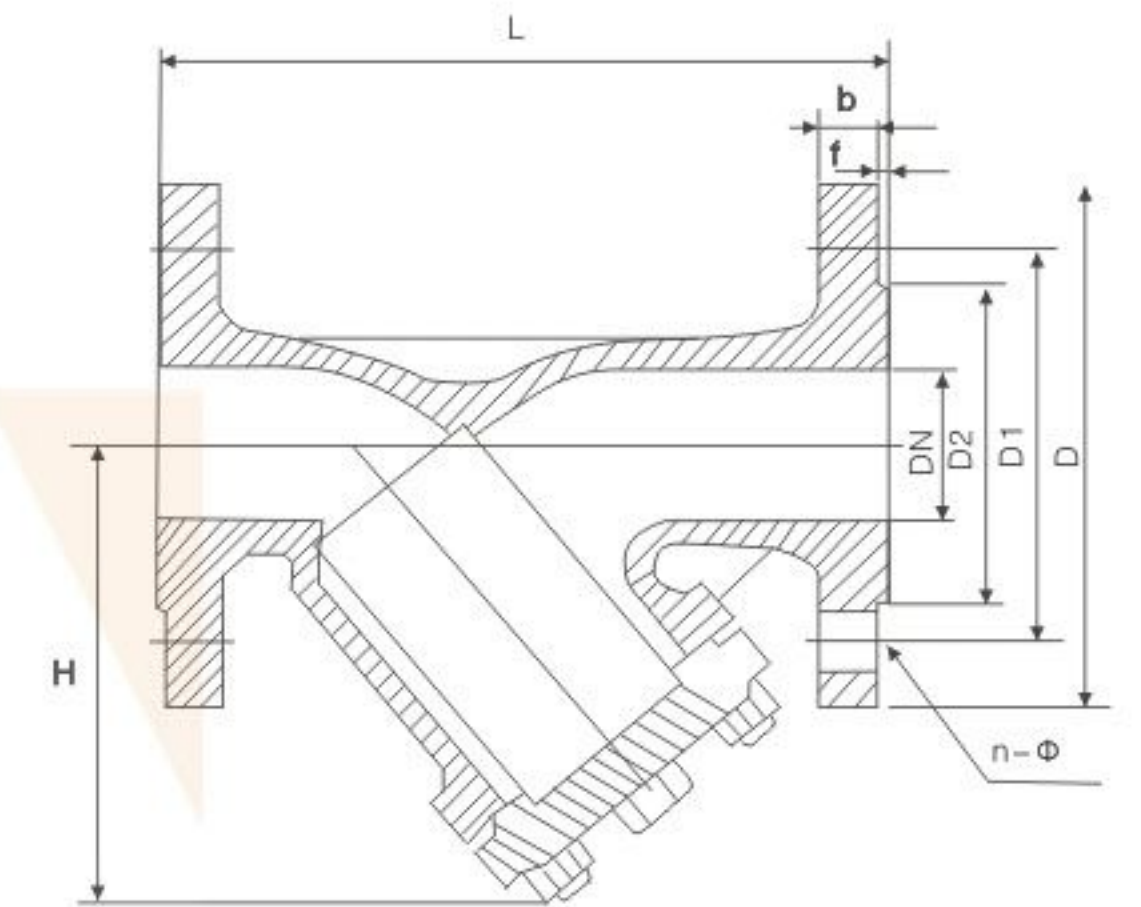
主要尺寸 Main Dimension

DN		150Lb			150LbP		150LbR		H
mm	in	L	D	D1	D2	b	f	n-φd	
15	1/2"	130	90	60.3	34.9	10	2	4-16	102
20	3/4"	145	100	69.9	42.9	10.9	2	4-16	113
25	1"	150	110	79.4	50.8	11.6	2	4-16	143
32	1-1/4"	180	115	88.9	63.5	13.2	2	4-16	166
40	1-1/2"	200	125	98.4	73	14.7	2	4-16	184
50	2"	220	152	120.7	92.1	16.3	2	4-19	213
65	2-1/2"	250	180	139.7	104.8	17.9	2	4-19	303
80	3"	280	190	152.4	127	19.5	2	4-19	328
100	4"	300	230	190.5	157.2	24.3	2	8-19	385
125	5"	350	255	215.9	185.7	24.3	2	8-22	465
150	6"	380	280	241.3	215.9	25.9	2	8-22	530
200	8"	480	345	298.5	269.9	29	2	8-22	665
250	10"	550	405	362	323.8	30.6	2	12-26	720
300	12"	610	485	431.8	381	32.2	2	12-26	805
350	14"	680	535	476.3	412.8	35.4	2	12-29	862
400	16"	780	595	539.8	469.9	37	2	16-29	908
450	18"	850	635	577.9	533.4	40.1	2	16-32	929
500	20"	900	700	635	584.2	43.3	2	20-32	1000
600	24"	1125	815	749.3	692.2	48.1	2	20-35	1200

主要尺寸 Main Dimension

DN		300Lb			300LbP		300LbR		
mm	in	L	D	D1	D2	b	f	n-φd	H
15	1/2"	130	95	66.7	34.9	14.7	2	4-16	102
20	3/4"	145	115	82.6	42.9	16.3	2	4-19	113
25	1"	150	125	88.9	50.8	17.9	2	4-19	143
32	1-1/4"	180	135	98.4	63.5	19.5	2	4-19	166
40	1-1/2"	200	155	114.3	73	21.1	2	4-22	184
50	2"	220	165	127	92.1	22.7	2	8-19	213
65	2-1/2"	250	190	149.2	104.8	25.9	2	8-22	303
80	3"	280	210	168.3	127	29	2	8-22	328
100	4"	300	255	200	157.2	32.2	2	8-22	385
125	5"	350	280	235	185.7	35.4	2	8-22	465
150	6"	380	320	269.9	215.9	37	2	12-22	530
200	8"	480	380	330.2	269.9	41.7	2	12-26	665
250	10"	550	445	387.4	323.8	48.1	2	16-29	720
300	12"	610	520	450.8	381	51.3	2	16-32	805
350	14"	680	585	514.4	412.8	54.4	2	20-32	862
400	16"	780	650	571.5	469.9	57.6	2	20-35	908
450	18"	850	710	628.6	533.4	60.8	2	24-35	929
500	20"	900	775	685.8	584.2	64	2	24-35	1000
600	24"	1125	915	812.8	692.2	70.3	2	24-41	1200

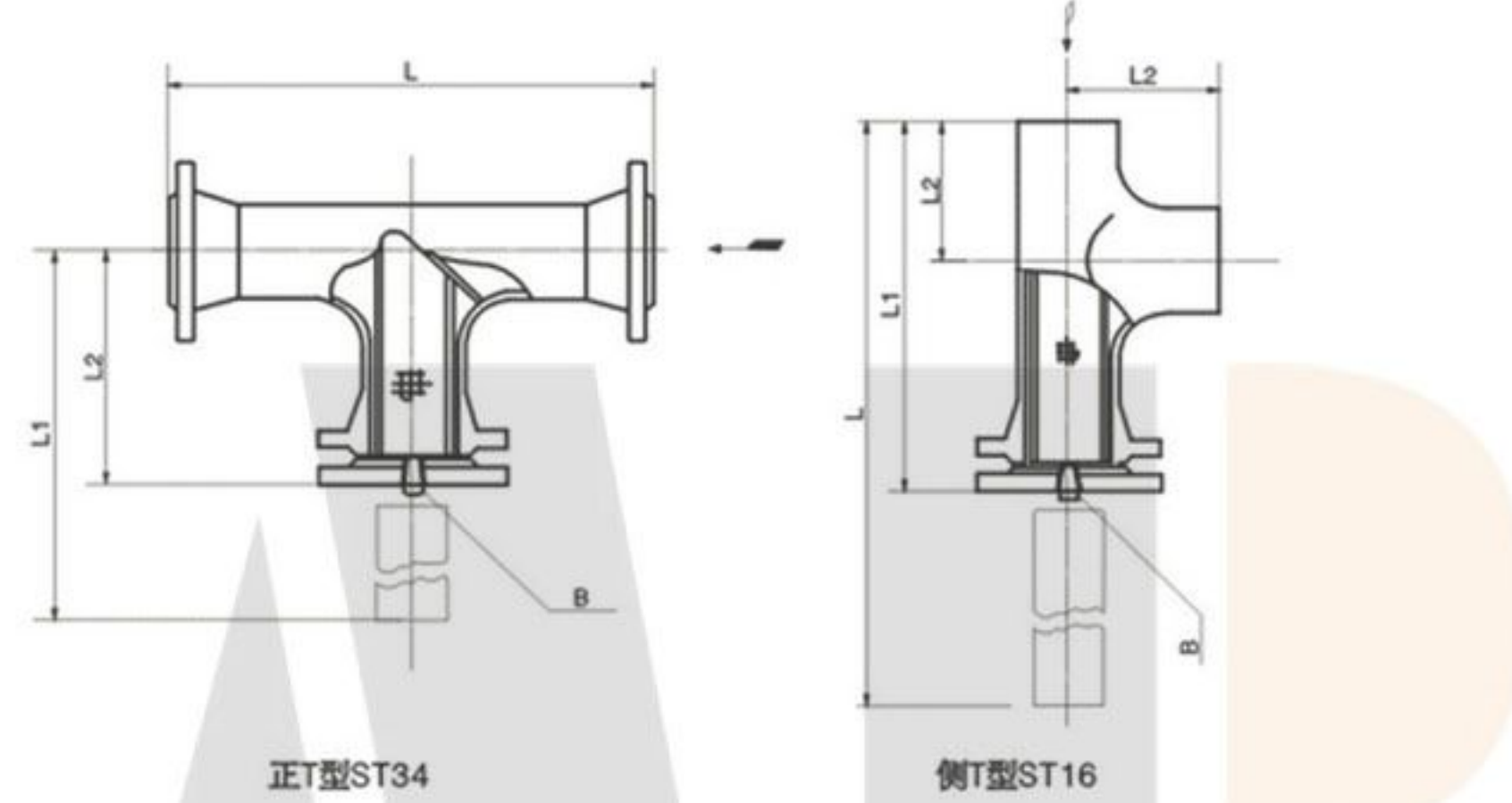
DN		600Lb			600LbP		600LbR		
mm	in	L	D	D1	D2	b	f	n-φd	H
15	1/2"	130	95	66.7	34.9	21.3	7	4-16	102
20	3/4"	145	115	82.6	42.9	22.9	7	4-19	113
25	1"	150	125	88.9	50.8	24.5	7	4-19	143
32	1-1/4"	180	135	98.4	63.5	27.7	7	4-19	166
40	1-1/2"	200	155	114.3	73	29.3	7	4-22	184
50	2"	220	165	127	92.1	32.4	7	8-19	213
65	2-1/2"	250	190	149.2	104.8	35.6	7	8-22	303
80	3"	280	210	168.3	127	38.8	7	8-22	328
100	4"	300	275	215.9	157.2	45.1	7	8-26	385
125	5"	350	330	266.7	185.7	51.5	7	8-29	465
150	6"	380	355	292.1	215.9	54.7	7	12-29	530
200	8"	480	420	349.2	269.9	62.6	7	12-32	665
250	10"	550	510	431.8	323.8	70.5	7	16-35	720
300	12"	610	560	489	381	73.7	7	20-35	805
350	14"	680	605	527	412.8	76.9	7	20-38	862
400	16"	780	685	603.2	469.9	83.2	7	20-41	908
450	18"	850	745	654	533.4	89.6	7	20-45	929
500	20"	900	815	723.9	584.2	95.9	7	24-45	1000
600	24"	1125	940	838.2	692.2	108.6	7	24-51	1200



主要尺寸 Main Dimension

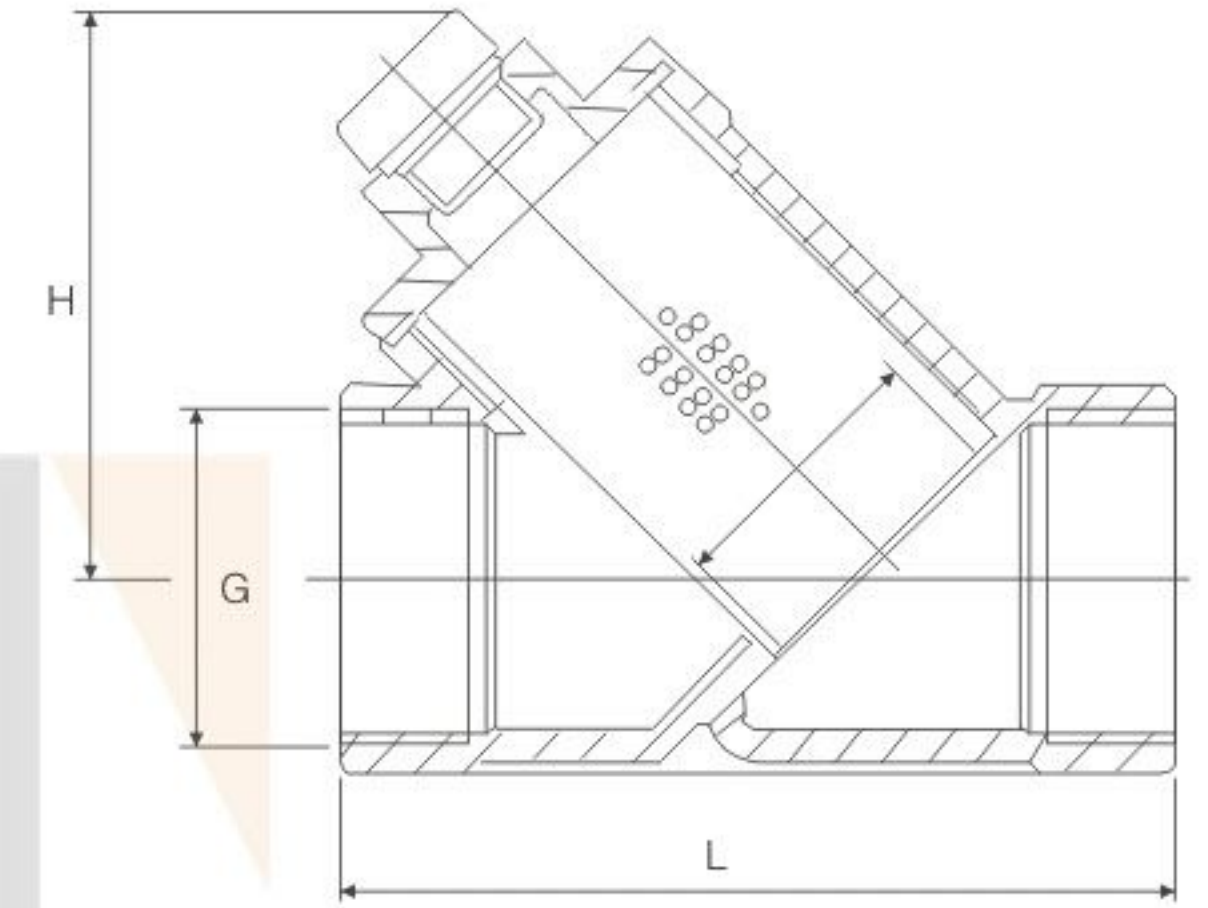
DN		GL41W-10K, GL41H-10K						
mm	in	L	D	D1	D2	b	n-φd	
15	1/2"	130	95	70	52	12	4-15	
20	3/4"	145	100	75	58	14	4-15	
25	1"	150	125	90	70	14	4-19	
32	1-1/4"	180	135	100	80	16	4-19	
40	1-1/2"	200	140	105	85	16	4-19	
50	2"	220	155	120	100	16	4-19	
65	2-1/2"	250	175	140	120	18	4-19	
80	3"	280	185	150	130	18	8-19	
100	4"	300	210	175	155	18	8-19	
125	5"	350	250	210	185	20	8-23	
150	6"	380	280	240	215	22	8-23	
200	8"	480	330	290	265	22	12-23	
250	10"	500	400	355	325	24	12-25	
300	12"	610	445	400	390	24	12-25	

DN		GL41W-20K, GL41H-20K						
mm	in	L	D	D1	D2	b	n-φd	
15	1/2"	130	95	70	52	12	4-15	
20	3/4"	145	100	75	58	14	4-15	
25	1"	150	125	90	70	14	4-19	
40	1-1/2"	200	140	105	85	16	4-19	
50	2"	220	155	120	100	18	8-19	
65	2-1/2"	250	175	140	120	20	8-19	
80	3"	280	200	160	135	220	8-23	
100	4"	300	225	185	160	24	8-23	
125	5"	350	270	225	195	26	8-25	
150	6"	380	305	260	230	28	12-25	
200	8"	480	350	305	275	30	12-25	
250	10"	500	430	380	345	34	12-27	
300	12"	610	480	430	395	35	16-27	



公称口径 DN	L	L1	L2	B/排放口 Blowdown tap			有效过滤面积 strainer area(m ²)	WT (kg)
				I	II	III		
				ST43C-16	ST43C-25	ST43C-40	ST43C-20	ST43C-50
50	268	298	158	R3/8"	DN20 平面RF	DN20 凸面M	0.00277	13.6
65	304	337	179				0.00421	18.9
80	330	370	195.5				0.00552	24
100	382	432	225				0.0088	36
150	482	557	280				0.01696	68
200	578	678	332.5				0.0355	140
250	666	791	383				0.0529	216
300	768	918	437				0.0686	315

公称口径 DN	L	L1	L2	B/排放口 Blowdown tap			有效过滤面积 strainer area(m ²)	WT (kg)
				I	II	III		
				ST14C-16	ST14C-25	ST14C-40	ST14C-20	ST14C-50
50	402	222	64	R1/2"	DN20 平面RF	DN20 凸面M	0.00387	8
65	469	255	76				0.00592	12
80	512	282	89				0.00811	15
100	590	330	105				0.013	23
150	773	423	143				0.026	47
200	951	510	178				0.0459	98
250	1099	599	216				0.0706	154
300	1291	691	254				0.0942	232



材料列表 Materialist

NO	部件名称 Part name	材料 Material		QTY
		CF8	CF8M	
1	阀体 Body	CF8	CF8M	1
2	阀盖 Cap	CF8	CF8M	1
3	过滤网 Gauze filter	SS316	SS316	1~2
4	垫片 Gasket	PTFE	PTFE	1
5	密封圈 Seal ring	PTFE	PTFE	1
6	螺塞 Plug	SS304	SS316	1

主要尺寸 Main Dimension

NPS	400PSI			800PSI		
	d	L	H	d	L	H
1/4"	9	50	34.3	9	50	34.3
3/8"	9	50	34.3	9	50	34.3
1/2"	15	60	41	14	60	41
3/4"	20	75	51	18	75	51.83
1"	25	90	60	22	90	62.3
1-1/4"	32	100	70	28	100	71.3
1-1/2"	40	119	80	38	120	82.3
2"	50	139	95	48	148	99.3